

| REV. | ECN.NO | REVISIONS | REV.DRAWN | DATE |
|------|--------|------------|-----------|------------|
| N | ---- | 修改料号编码 | sunquan | 2010/05/24 |
| O | 10066 | 修改A尺寸公差 | hejihuai | 2010/08/17 |
| P | ---- | 增加贴MYLAR规格 | Asimo | 2010/12/21 |
| Q | ---- | 增加2P、3P规格 | sunquan | 2012/04/27 |

SPECIFICATION

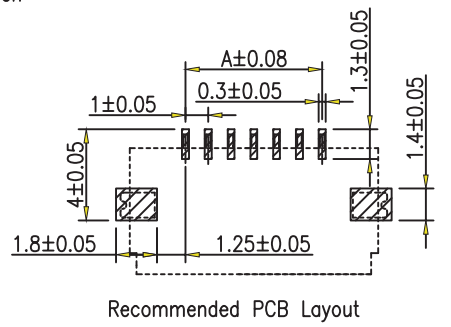
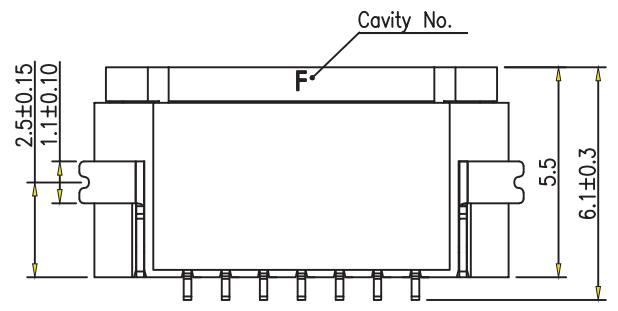
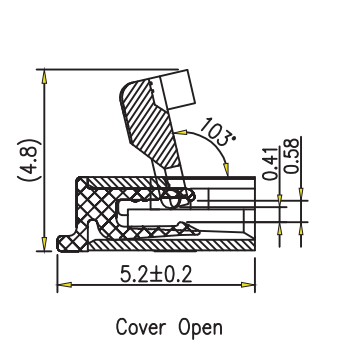
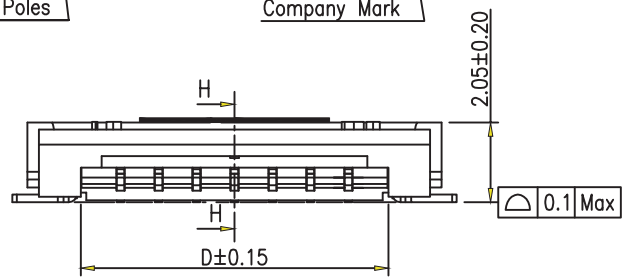
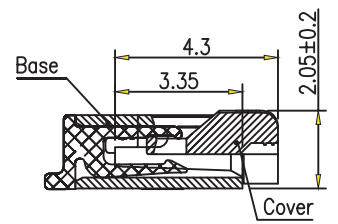
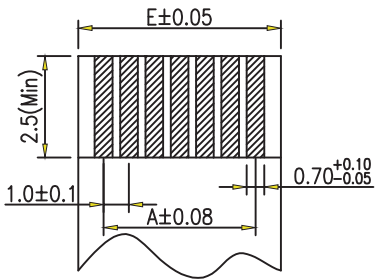
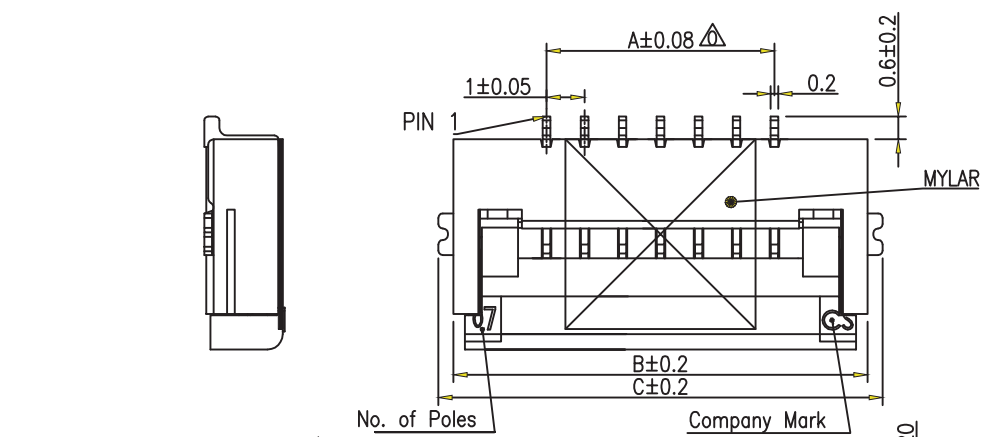
- . Voltage Rating : 50V AC/DC
- . Current Rating : 0.5A AC/DC
- . Withstanding Voltage : 500V AC/Minute
- . Insulation Resistance : 100M Ω Min.
- . Temperature Range : -40 $^{\circ}$ C~+85 $^{\circ}$ C
- . Contact Resistance : 20m ohm Max.

NOTES:

1. Material: Base: High Temp. Thermoplastic UL94V-0
Cover: High Temp. Thermoplastic UL94V-0
Contact: Copper Alloy, Tin Plated/Matte Sn
Ear: Copper Alloy, Tin Plated/Matte Sn
2. Color: Base: Natural, Cover: Black
3. Q'ty : 2,000 Pcs/Reel

order code:
ZIFJXX-1.0BFX-R

Number of Contacts: [] Blank-no mylar
[] M-with mylar



| Poles | Dimensions(mm) | | | | |
|-------|----------------|-------|-------|-------|-------|
| | A | B | C | D | E |
| 02 | 1.00 | 5.90 | 6.70 | 3.10 | 3.00 |
| 03 | 2.00 | 6.90 | 7.70 | 4.10 | 4.00 |
| 04 | 3.00 | 7.90 | 8.70 | 5.10 | 5.00 |
| 05 | 4.00 | 8.90 | 9.70 | 6.10 | 6.00 |
| 06 | 5.00 | 9.90 | 10.70 | 7.10 | 7.00 |
| 07 | 6.00 | 10.90 | 11.70 | 8.10 | 8.00 |
| 08 | 7.00 | 11.90 | 12.70 | 9.10 | 9.00 |
| 09 | 8.00 | 12.90 | 13.70 | 10.10 | 10.00 |
| 10 | 9.00 | 13.90 | 14.70 | 11.10 | 11.00 |
| 11 | 10.00 | 14.90 | 15.70 | 12.10 | 12.00 |
| 12 | 11.00 | 15.90 | 16.70 | 13.10 | 13.00 |
| 13 | 12.00 | 16.90 | 17.70 | 14.10 | 14.00 |
| 14 | 13.00 | 17.90 | 18.70 | 15.10 | 15.00 |
| 15 | 14.00 | 18.90 | 19.70 | 16.10 | 16.00 |
| 16 | 15.00 | 19.90 | 20.70 | 17.10 | 17.00 |

| Poles | Dimensions(mm) | | | | |
|-------|----------------|-------|-------|-------|-------|
| | A | B | C | D | E |
| 17 | 16.00 | 20.90 | 21.70 | 18.10 | 18.00 |
| 18 | 17.00 | 21.90 | 22.70 | 19.10 | 19.00 |
| 19 | 18.00 | 22.90 | 23.70 | 20.10 | 20.00 |
| 20 | 19.00 | 23.90 | 24.70 | 21.10 | 21.00 |
| 21 | 20.00 | 24.90 | 25.70 | 22.10 | 22.00 |
| 22 | 21.00 | 25.90 | 26.70 | 23.10 | 23.00 |
| 23 | 22.00 | 26.90 | 27.70 | 24.10 | 24.00 |
| 24 | 23.00 | 27.90 | 28.70 | 25.10 | 25.00 |
| 25 | 24.00 | 28.90 | 29.70 | 26.10 | 26.00 |
| 26 | 25.00 | 29.90 | 30.70 | 27.10 | 27.00 |
| 27 | 26.00 | 30.90 | 31.70 | 28.10 | 28.00 |
| 28 | 27.00 | 31.90 | 32.70 | 29.10 | 29.00 |
| 29 | 28.00 | 32.90 | 33.70 | 30.10 | 30.00 |
| 30 | 29.00 | 33.90 | 34.70 | 31.10 | 31.00 |

| | | | | | |
|-------|-------|-------|-------|----------|--|
| 30~ | ±0.35 | .X' | ±2' | UNITS | GTK UK LTD. PART NO.(INTENDED USE) ZIFJXX-1.0BF-R 1.0mm pitch ZIF connector Bottom contact, Filp actuator |
| 20~30 | ±0.25 | .X' | ±1' | MAT'S | |
| 10~20 | ±0.15 | .XX' | ±0.5' | SEE NOTE | |
| 0~10 | ±0.10 | .XXX' | ±0.2' | FINISH | |
| | | | | SEE NOTE | APPV'D |
| | | | | Q'TY | CHK'D |
| | | | | DR': | hejihuai 2009/04/02 |
| | | | | | DWG NO. 020-0091-1157SDR-XX |
| | | | | | SCALE SHEET REV 5 : 1 1/1 Q |