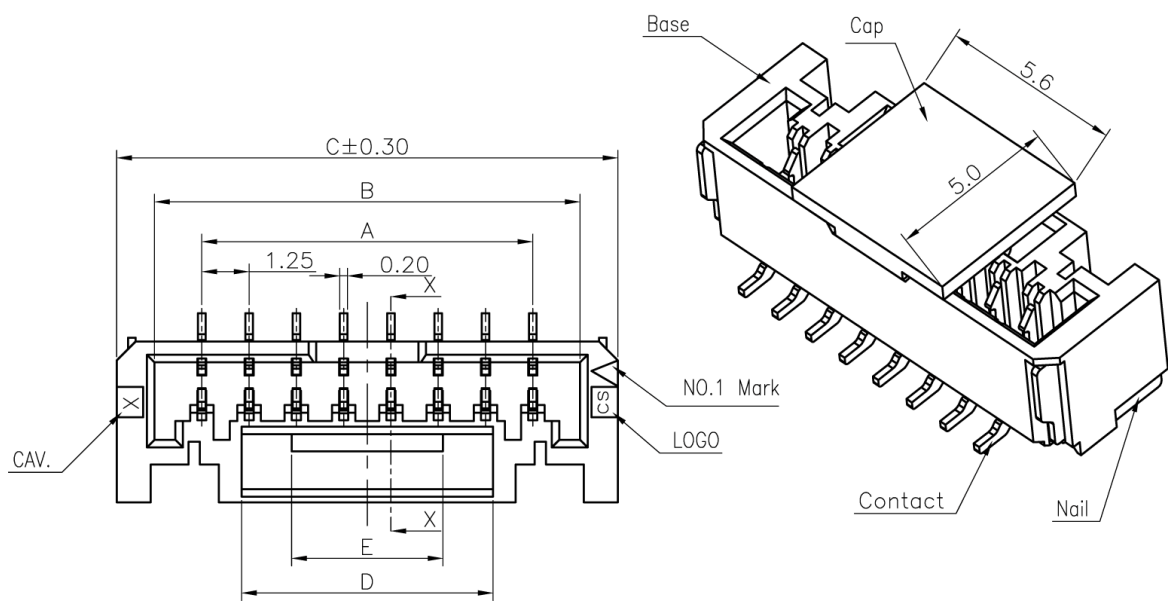
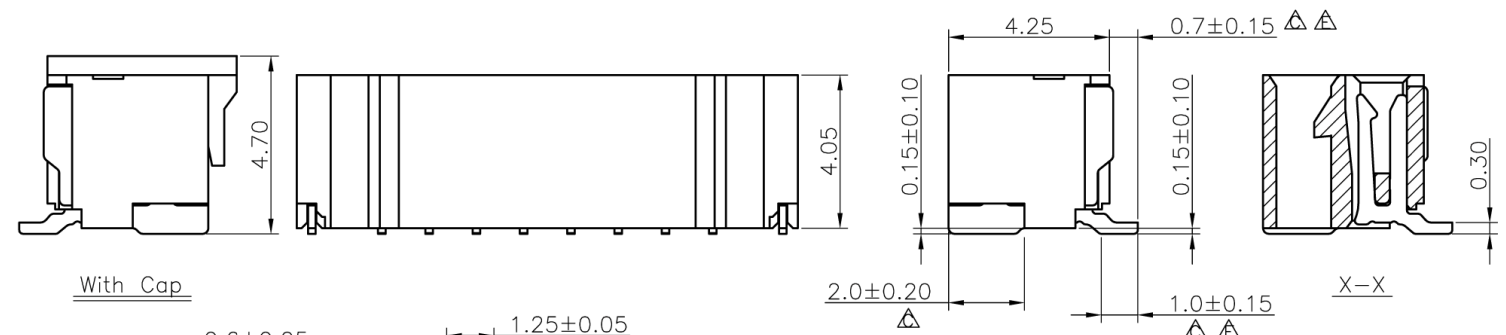


A4

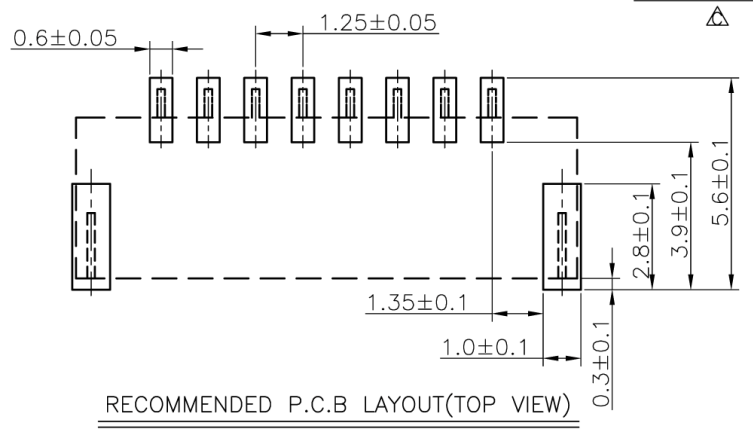


NOTES:

- 1. MATERIAL:
Housing: Glass Filled Nylon PA9T, UL94V-0
Natural colour
Contact: Copper Alloy, Tin plated
Nail: Copper Alloy, Tin plated
- 2. PACKAGING:
1500pcs/reel
- 3. ORDER CODE:
WB1J-xxS-SMH2T-R
#poles: 02-15



Poles	A	B	C	D	E
02	1.25	3.75	5.75	2.10	0.75
03	2.50	5.00	7.00	3.40	1.30
04	3.75	6.25	8.25	4.65	2.10
05	5.00	7.50	9.50		
06	6.25	8.75	10.75	6.65	4.00
07	7.50	10.00	12.00		
08	8.75	11.25	13.25		
09	10.00	12.50	14.50	8.60	6.00
10	11.25	13.75	15.75		
11	12.50	15.00	17.00		
12	13.75	16.25	18.25		
13	15.00	17.50	19.50	20.75	22.00
14	16.25	18.75	20.75		
15	17.50	20.00	22.00		



RECOMMENDED P.C.B LAYOUT(TOP VIEW)

X. ± 0.40	X.* ± 5.0*	UNITS: mm	NAME(INTENDED USE):
.X ± 0.30	.X* ± 2.0*	MATERIAL:	CUSTOMER
.XX ± 0.20	.XX* ± 1.0*	SEE NOTE	PART NO.(INTENDED USE):
.XXX ± 0.10	.XXX* ± ---	FINISH:	WB1J-xxS-SMH2T-T
SEE NOTE		APPD:	TITLE:
SEE NOTE		CHKD:	PH1.25mm WTB CONNECTOR
SEE NOTE		DR:	DWG NO.:
SEE NOTE		sunquan 2012/06/15	020-0144-1289S-XX

THESE DRAWINGS AND SPECIFICATIONS ARE THE PROPERTY OF CHYAO SHIUNN ELECTRONIC CO., LTD. AND SHALL NOT BE REPRODUCED, COPIED OR USED IN ANY MANNER WITHOUT THE PRIOR WRITTEN CONSENT OF CHYAO SHIUNN ELECTRONIC CO., LTD.

gk GTK UK LTD.

SCALE SHEET REV.
5:1 1/1 /

ROHS COMPLIANT

