

REV.	SPECIFICATION	ECN NO.	APPD.

Material:
Housing: High Temperature Plastic UL94V-0.
Contacts: Copper Alloy.
Shell: Metal.

Electrical Characteristics:
Current Rating: 5.0A for VBUS and GND.
(i.e., Pins A4,A9,B4,B9)
1.25A for Vconn and GND.
(i.e., Pins B5,A1,A12,B1,B12)
0.25A for all the others contacts.

Dielectric Withstanding Voltage: AC 100V min.
Insulator Resistance: 100MΩ min. at DC 250V.
Contact Resistance: 50mΩ max.
Operating Temperature: -55°C~+85°C.

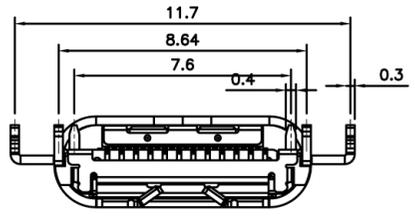
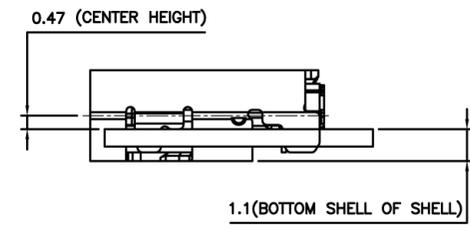
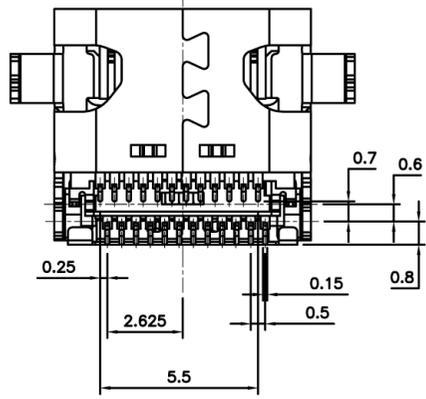
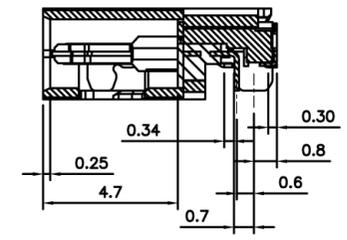
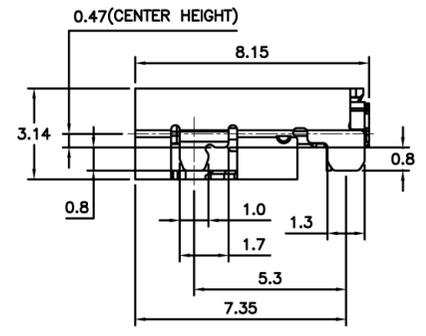
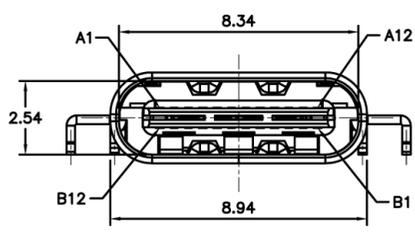
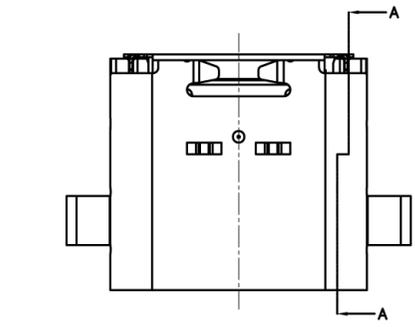
Mechanical Characteristics:
Insertion Force: 5N~20N.
Extraction Force: 8N~20N.
Durability: 10000 Cycles.

***RoHS Compliant.**

ORDER CODE:

USBS-C1MS1-BG_x-R

Contact Plating:
G3 - 30μ" gold (standard)
G0 - gold flash

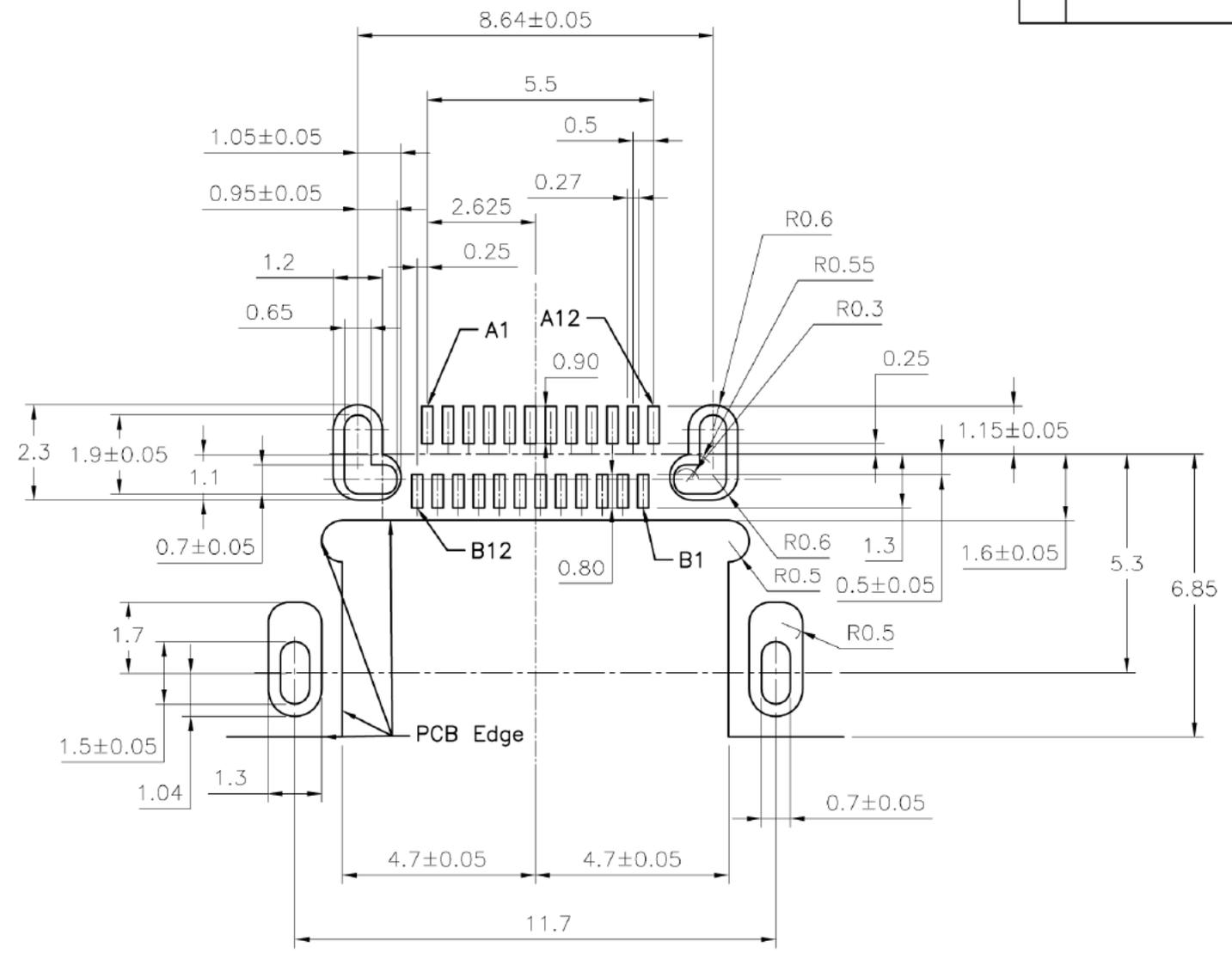


Tolerances	Dwg No.	Title:	
.X = ±0.30	Projection	Type C USB receptacle	
.XX = ±0.20	Unit mm	Scale	1:1
.XXX = ±0.15	Drawn By	Vic Lyu11/27'15	

Type C USB receptacle
Mid-mount
SMT contacts

P/N: USBS-C1MS1-BG _x -R			
SHEET	1/2	Ver. No.	A1

REV.	SPECIFICATION	ECN NO.	APPD.



P.C.Board Layout

Tolerances	Dwg No.		
.X = ±0.30	Projection		
.XX = ±0.20	Unit	mm	Scale 1:1
.XXX = ±0.15	Drawn By	Vic Lyu11/27'15	

Title:
Type C USB receptacle
Mid-mount
SMT contacts

GTK UK LTD.			
P/N: USBS-C1MS1-BGx-R			
SHEET	2/2	Ver. No.	A1