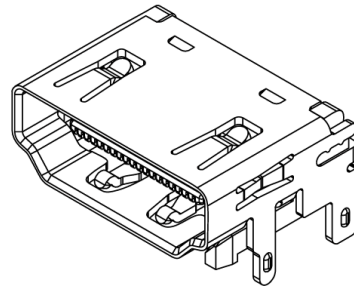
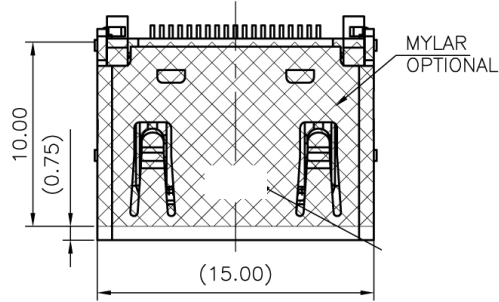


RoHS COMPLIANCE

REV.	ZONE	LTR	DESCRIPTION	DATE	REVISER	APPD.



3D VIEW

MATERIAL:

INSULATOR
HIGH TEMP THERMOPLASTIC,
UL94-V0 (BLACK)

CONTACT PLATING

GOLD PLATING (see order code) ON MATING AREA,
80µ" MATT TIN ON SOLDER AREA,
50µ" NICKEL UNDERPLATE OVERALL

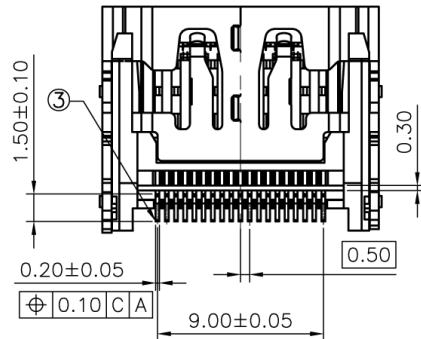
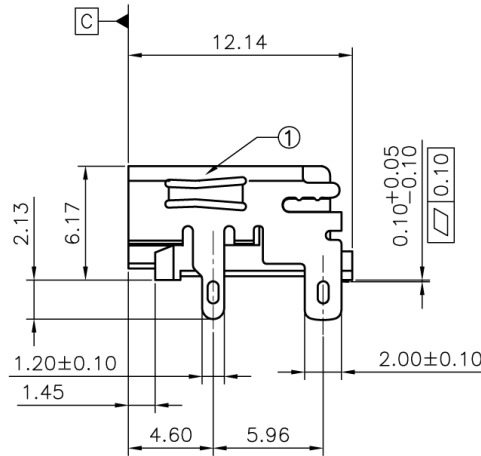
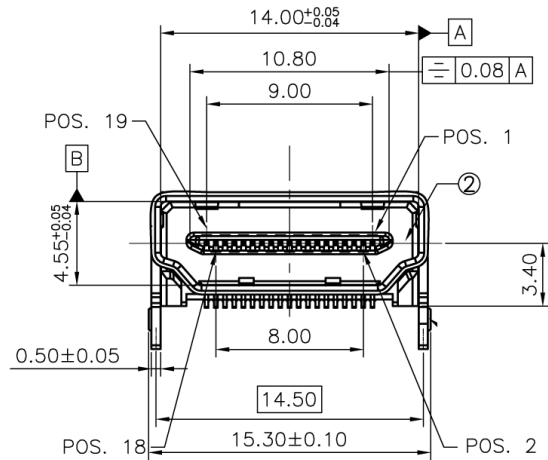
SHELL

NICKEL PLATED SPCC

ORDER CODE:

HDMI - R1H0 G1 R - R

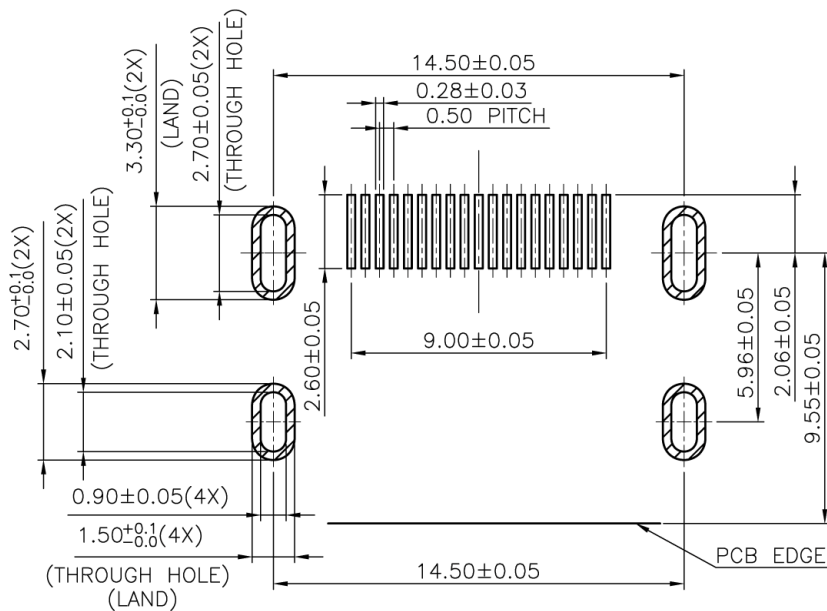
contact plating:	┌───┐	packaging
G0 - gold flash	└───┘	R - T&R (no mylar)
G1 - 15µ gold		RM - T&R (with mylar)



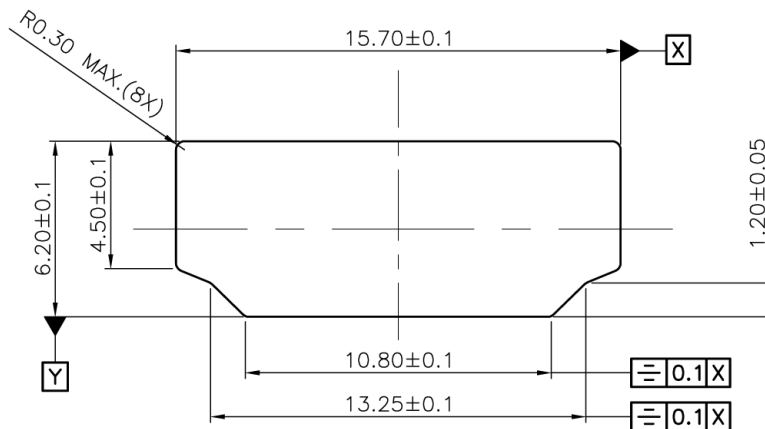
MATERIAL: 	TOLERANCE UNSPECIFIED: .000 ± 0.15 .00 ± 0.20 .0 ± 0.30 - ± 0.50 ANGLE ± 2°	GTK UK LTD. SCALE: 1:1 UNIT: mm	
	FINISH: 		
		DRAWING NO.: HDMI-R1H0G1R-R	

ROHS COMPLIANCE

REV.	ZONE	LTR	DESCRIPTION	DATE	REVISER	APPD.



RECOMMENDED P.C.B. LAYOUT (T:1.20mm)
TOLERANCE UNSPECIFIED ±0.05mm



RECOMMENDED PANEL CUT OUT DIMENSION

SPECIFICATIONS:

1. MECHANICAL:


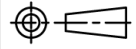
- 1.1 WITHDRAWAL FORCE AFTER 2000 CYCLES: 39.2N MAX,9.8N Min.
- 1.2 WITHDRAWAL FORCE AFTER 2001-10000 CYCLES:4.9N Min,39.2N Max.
- 1.3 INSERTION FORCE:44.1N Max.

2. ELECTRICAL:

- 2.1 CONTACT CURRENT RATING: 0.5A MIN.
- 2.2 VOLTAGE RATING: 40V AC(RMS)
- 2.3 WITHSTANDING VOLTAGE:
500 VOLTS AC BETWEEN ADIACENT TERMINAL(UNMATE)
300 VOLTS AC BETWEEN ADIACENT TERMINAL(MATE)
- 2.4 INSULATION RESISTANCE:
100 MOHM MIN.(UNMATED); 10 MOHM MIN.(MATED)
- 2.5 CONTACT RESISTANCE: 30 MILLIOHMS MAX.

3. ENVIRONMENTAL:

- 3.1 OPERATING TEMPERATURE: -25°C to +85°C
- 3.2 STORAGE TEMPERATURE: -20°C TO 60°C

19	COPPER ALLOY	CONTACT	③
1	THERMOPLASTIC UL94V-0	HOUSING	②
1	COPPER ALLOY	SHELL	①
QTY'S	SPECIFICATION	PART	ITEM
MATERIAL:	TOLERANCE UNSPECIFIED: .000 ± 0.15 .00 ± 0.20 .0 ± 0.30 ± 0.50 ANGLE ± 2'	 GTK UK LTD.  SCALE: 1:1 UNIT: mm	
FINISH:	DRAWN: DESIGNER: CHECKED: APPROVED:		
NAME: HDMI TYPE A RECEPTALE CONNECTOR SMT TYPE CUSTOMER DRAWING		SHEET: 2 / 2	
DRAWING NO.: HDMI-R1H0G1R-R		REV.: 0.1	