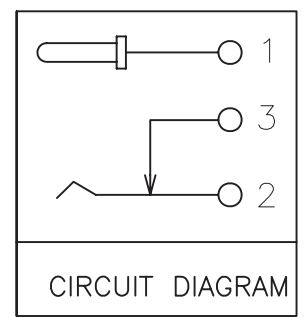
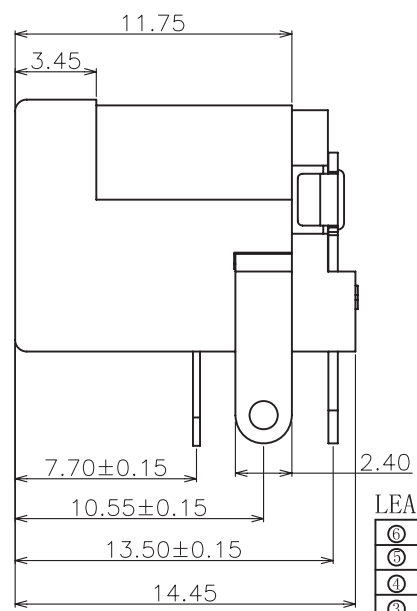
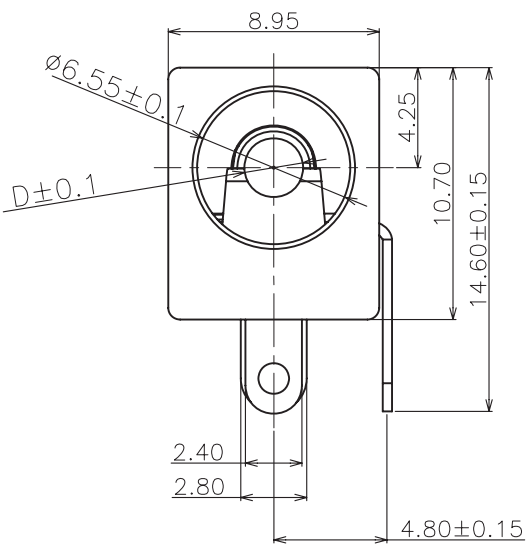
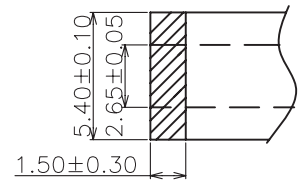


PCB LAYOUT TOP VIEW



CIRCUIT DIAGRAM



PLUG VIEW

Order Information

DJ-KA005-XXX-R

Center Pin, ϕ XXX
2.0
2.5

LEAD FREE

NO.	DESCRIPTION	QTY	MATERIAL	REMARK
⑥	COVER	1	PBT (Black)	UL-94V0
⑤	HOUSING	1	PBT (Black)	UL-94V0
④	PIN	1	HG2	Ni-Plated
③	TERMINAL	1	BRASS t=0.40	Tin flash-Plated
②	TERMINAL	1	PHOSPHOR BRONZE t=0.30	Tin flash-Plated
①	TERMINAL	1	BRASS t=0.40	Tin flash-Plated



TITLE		DWG.		REV.		DATE	
DC POWER JACK (RoHS)		Justin 07/05/09'		B		Add Circuit Diagram 07/05/09'	
PART NO. DJ-KA005-XXX-R		CKD. Kate 07/05/09'		A		New Release 07/02/09'	
REF. NO.		APPD. Justin 07/02/09'		REV.		DESCRIPTION DATE	

OPEN TOLERANCES	SCALE	SHEET
Fraction Decimals Angles x .50 ± .1 x .25 ± .05 x .125 ± .025 x .0625 ± .010	2 : 1	1 of 1