

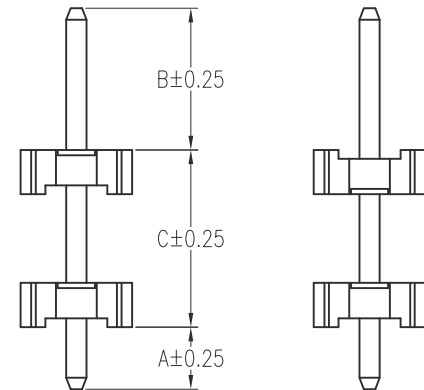
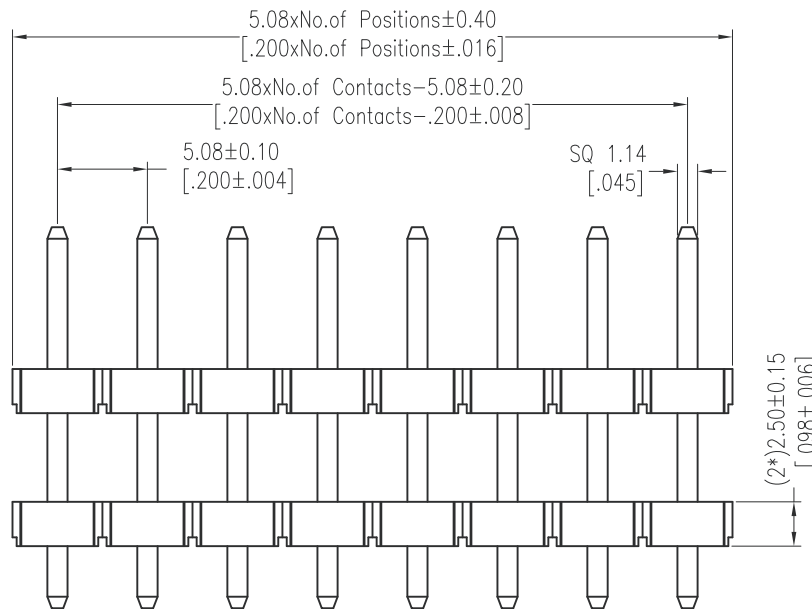
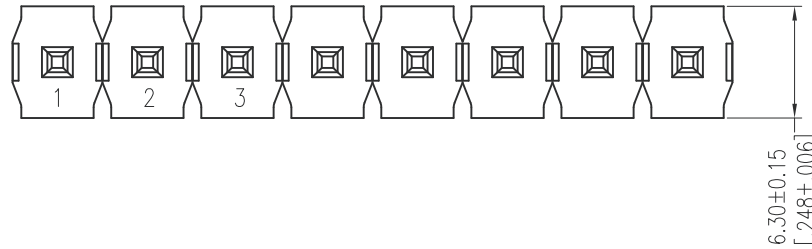
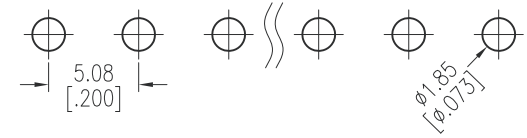
ROHS COMPLIANT

NOTES:

Rated Current:7.0AMP.
 Contact Resistance:20mΩ Max.
 Withstand Voltage:1000V AC/DC
 Insulation Resistance:1000MΩ Min.
 Operation Temperature:-40°C to +105°C

Contact Material:Brass
 Contact Plating: Sn Over Ni
 Insulator Material:LCP+30%G.F UL94V-0 BK

Recommended P.C.B Layout (Top Side)
 (PCB BOARD TOLERANCE±0.05)



STYLE A

STYLE B

ORDER CODE:

BSSS xx T6 B -21.5

No contacts: 02-20
 Overall length (see table)
 Style (A or B)

Dimensions	
Overall length:	21.5mm
B	5.2mm
C	14.0mm
A	2.3mm

contact GTK for other dimensions

REV	DATE	MODIFICATION DESCRIPTION	CHANGE	OPERATION	DRAW	DATE	SCALE	Fit	PART NO.
				X.X ±0.40	William Chen	2018/01/26	UNIT	mm [inch]	BSSSxxT6B-21.5
A1	2018/01/26	MODIFY PART NO.	-----	X.XX ±0.25	CHECK	DATE	SIZE	A4	
AO	2012/07/03	NEW	-----	X.XXX ±0.15	APPROVE	DATE	SHEET	1/1	TITLE: 5.08 Pin Header, SINGLE ROW, S/T, DOUBLE PLASTIC, H=2.5
				Angle ± 3'			PROJ.	Customer NO.	
				DIM TOL					

