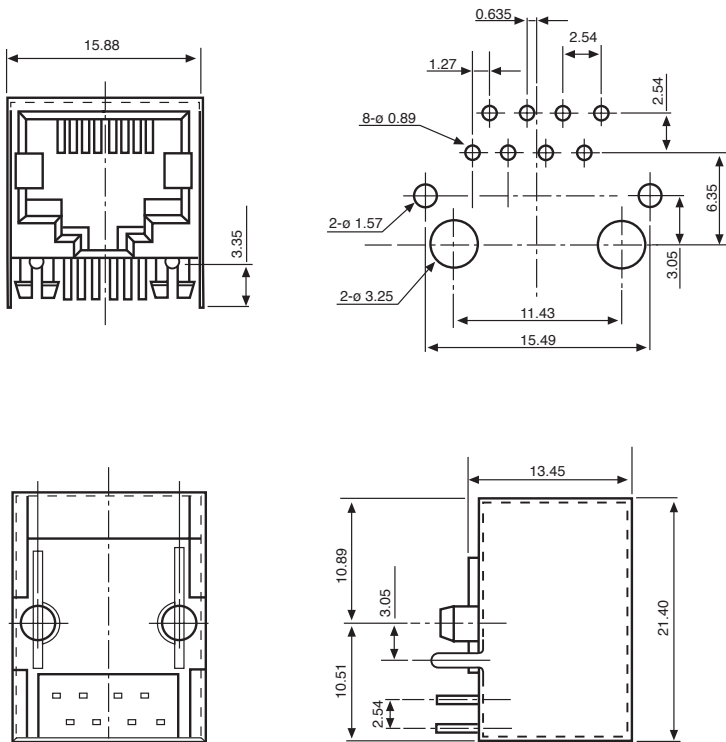


Modular Telephone Sockets

Side Entry PCB Jacks - Shielded
PCB Connectors

Circuits	Loaded Contacts	Part Number	Key
8	8	MTC-8810SB	No

PCB Hole Pattern



for more information call
01344 304123

