

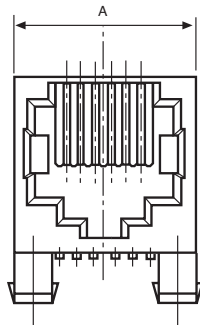
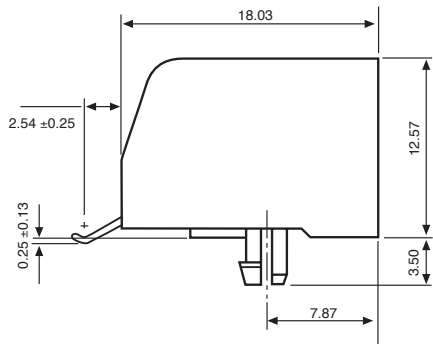
# Modular Telephone Sockets

## Low Profile Side Entry PCB Jacks 2 - SMT PCB Connectors

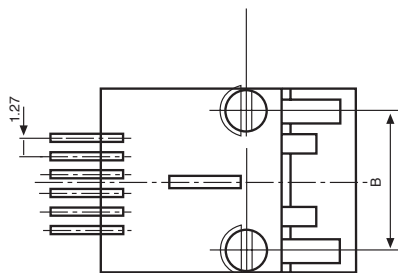
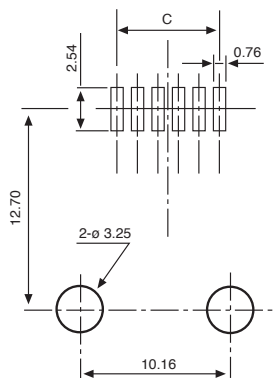
No. of Position	No. of Contacts	Dimensions		
		A	B	C
6	6/4/2	13.21	10.16	6.35
8	8	15.24	11.43	8.89

Circuits	Loaded Contacts	Part Number	Key
6	6	MTC-6620NBF2	No
8	8	MTC-8820NBF2	No

2 or 4 contact versions also available



PCB Layout/Top View



for more information call  
**01344 304123**

