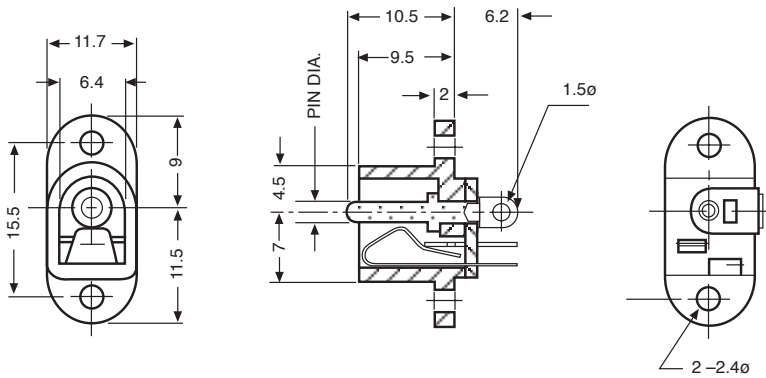


# DC Power Jacks

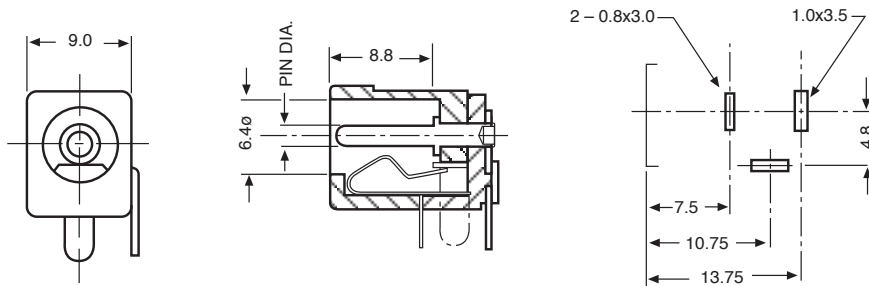
## DC Power Jacks PCB Connectors

### Panel Mount



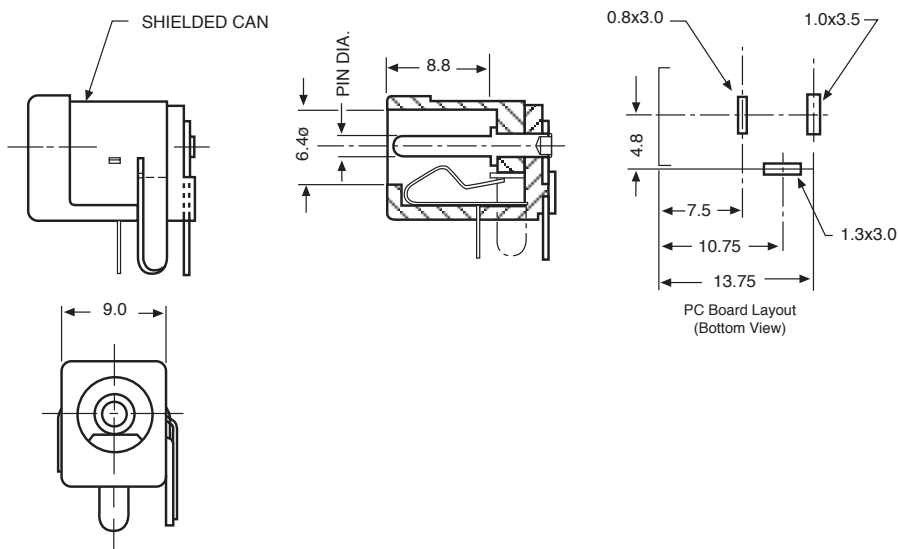
Pin Ø	Part Number
2.00	DJ-001-2.0
2.50	DJ-001-2.5
2.35	DJ-001-2.35
1.87	DJ-001-1.87
1.45	DJ-001-1.45

### PCB



Pin Ø	Part Number
2.00	DJ-005-2.0
2.50	DJ-005-2.5
2.35	DJ-005-2.35
1.87	DJ-005-1.87
1.45	DJ-005-1.45

### Shielded PCB



Pin Ø	Part Number
2.00	DJ-005S-2.0
2.50	DJ-005S-2.5
2.35	DJ-005S-2.35
1.87	DJ-005S-1.87
1.45	DJ-005S-1.45

for more information call  
**01344 304123**

