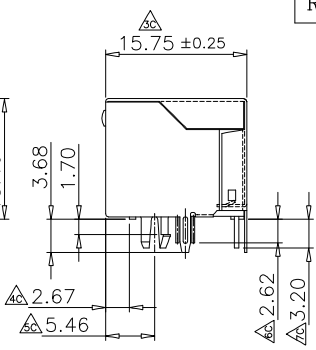
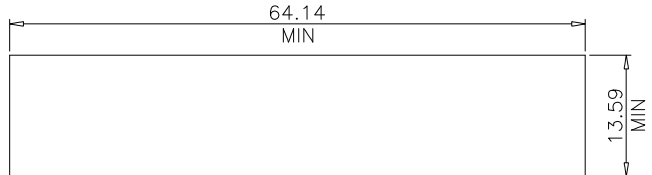
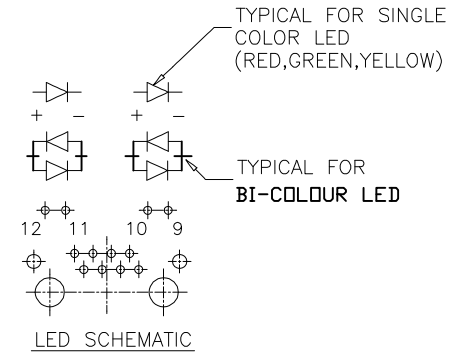


P.C.B LAYOUT/TOP VIEW



RoHS COMPLIANT



RECOMMENDED PANEL CUTOUT

MATERIALS:
 PLASTIC HOUSING: ENGINEERING THERMOPLASTIC
 FLAMMABILITY RATING UL 94V-0.
 CONTACTS: PHOSPHOR BRONZE
 PLATING: GOLD PLATING OVER NICKEL IN CONTACT.
 TIN PLATING OVER NICKEL IN SOLDER AREA
 SHIELD: BRASS PLATING NICKEL ALLOY



TITLE 4 PORT MODULAR JACK WITH LED, SHIELDED WITH GROUNDING TABS		OPEN TOLERANCES Fraction Decimals Angles X ±0.50 ±1° X.X ±0.38 X.XX ±0.25 X.XXX ±0.10		DWG. Kate 11/02/10'		
PART NO. MTCL-488XXSB-R	REV. B	SCALE 2 : 1	SHEET 2 of 2	CKD. Justin 11/02/10'	B	Update Drawing 11/02/10'
REF. NO.	QA. NO.			APPD. Justin 11/02/10'	A	New Release 06/09/09'
					REV.	DESCRIPTION DATE

Order Information
 MTCL-488XXSB-R

selective gold Plating

0: Gold Falsh
 1: 6u" Gold
 2: 15u" Gold
 3: 30u" Gold
 4: 50u" Gold

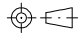
LED Code

LED Code

CODE	LED 2<LEFT>	LED 1<Right>
0	NO LED	NO LED
1	Yellow	Green
2	NO LED	Green
3	Green	Yellow
4	Green	Green
5	Yellow	Yellow
6	Yellow/Green	Yellow/Green
7	Green /RED	Green /RED
8	Yellow/Green	Yellow
9	Green/Orange	Yellow

FURTHER LED OPTIONS AVAILABLE ON
 REQUEST



TITLE 4 PORT MODULAR JACK WITH LED, SHIELDED WITH GROUNDING TABS		 OPEN TOLERANCES Fraction Decimals Angles X ±0.50 ± 1° X.X ±0.38 X.XX ±0.25 X.XXX ±0.10		DWG. Kate 11/02/10'		
PART NO. MTCL-488XXSB-R	REV. B	SCALE 2 : 1	SHEET 2 of 2	CKD. Justin 11/02/10'	B Update Drawing 11/02/10'	
REF. NO.	QA. NO.			APPD. Justin 11/02/10'	A New Release 06/09/09'	
				REV.	DESCRIPTION	DATE