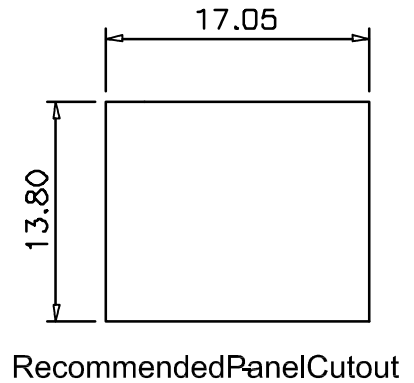
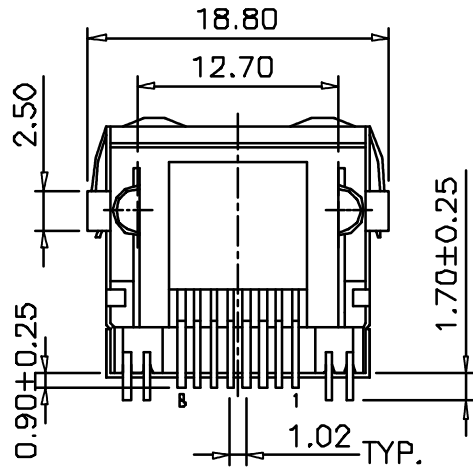


Recommended PCB Layout
(Component Side)



Recommended Panel Cutout

MATERIAL:

- HOUSING—DSM STANYL TE250F6 (NYLON-46)
HEAT DEFLECTION TEMP.290°
BLACK COLOR, UL94V-0
- CONTACTS—0.35mm THICK PHOS-BRONZE PLATED
WITH HARD GOLD AND GOLD FLASH IN
SOLDER AREA.
- SHIELD—0.25mm THICK COPPER ALLOY,
PLATED WITH NICKEL.

CAVITY CONFIRMS TO FCC RULES AND REGULATIONS
PART 68, SUBPART F.



TITLE		OPEN TOLERANCES Fractions: 1/16, 1/8, 1/4, 1/2 Decimals: 0.1, 0.2, 0.5, 1.0 Angles: 1°, 15°, 30°, 45°, 60°, 90°		DWG.	Jason	06/20/06		
SEE NOTE PAGE 2 OF 2		All Dimensions in mm		CKD.	Jacky	06/20/06		
PART NO.	MTCL-188xxSB-SMR	REV.	A	SCALE	2:1	SHEET	1 of 2	
REF. NO.		QA. NO.		APPD.	Justin	06/20/06		
REV.		DESCRIPTION	A	New Release		06/20/06		
		DESCRIPTION						
		DATE						

OrderInformation

Order Information
 MTCL-188XXSB-SMR

LED Code

— Selective Gold Plating

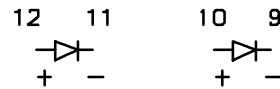
0: Gold Falsh
 1: 6u" Gold Plated
 2: 15u" Gold Plated
 3: 30u" Gold Plated
 4: 50u" Gold Plated

LED Code

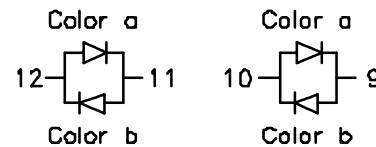
CODE	LED 2(LEFT)	LED 1(Right)
0	NO LED	NO LED
1	Yellow	Green
2	NO LED	Green
3	Green	Yellow
4	Green	Green
5	Yellow	Yellow
6	Yellow/Green	Yellow/Green
7	Green /RED	Green /RED
8	Yellow/Green	Yellow
9	Green/Orange	Yellow

FURTHER LED OPTIONS AVAILABLE ON REQUEST

Single Color LED



Bi-Color LED



TITLE SINGLE PORT MODULAR JACK WITH LED'S, SURFACE MOUNT, SIDE ENTRY, LATCH UP, SHIELDED WITH GROUNDING TABS				OPEN TOLERANCES Fractional inches Angles 1/16, 1/32, 1/64, 1/8, 1/4, 1/2, 3/4, 1		DWG. Jason 06/20/06			
PART NO. MTCL-188xxSB-SMR		REV. A		SCALE 2 : 1		SHEET 2 of 2		APPD. Justin 06/20/06	
REF. NO.		QA. NO.		REV.		DESCRIPTION		DATE	