

4

3

2

1

D

D

C

C

B

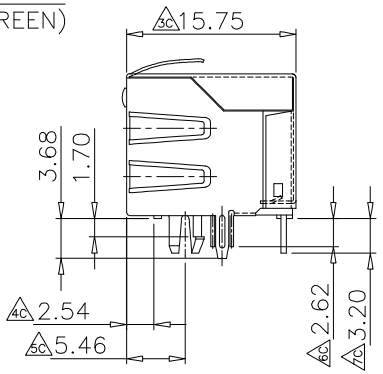
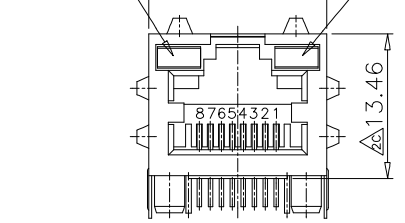
B

A

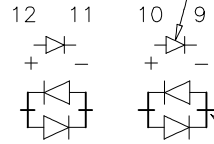
A

RoHS COMPLIANT

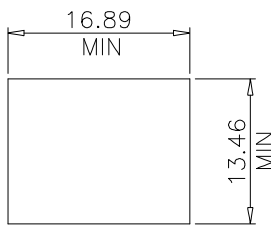
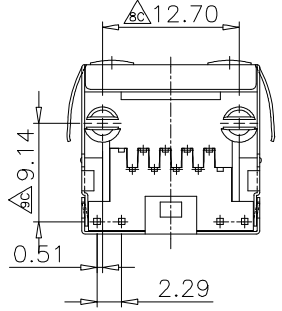
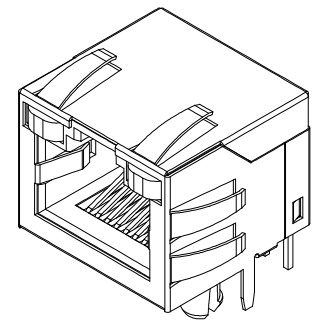
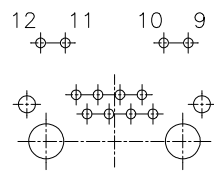
LED2 (YELLOW) LED1 (GREEN)



TYPICAL FOR SINGLE COLOR LED (RED, GREEN, YELLOW)



TYPICAL FOR BI-COLOUR LED



RECOMMENDED PANEL CUTOUT

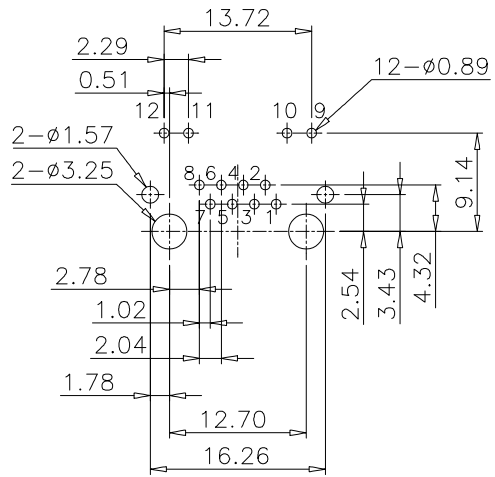
MATERIALS:

PLASTIC HOUSING: ENGINEERING THERMOPLASTIC
FLAMMABILITY RATING UL 94V-0.

CONTACTS: PHOSPHOR BRONZE

PLATING: GOLD PLATING OVER NICKEL IN CONTACT.
TIN PLATING OVER NICKEL IN SOLDER AREA

SHIELD: BRASS PLATING NICKEL ALLOY



TITLE SINGLE PORT MODULAR JACK WITH LED, SHIELDED WITH GROUNDING TABS		OPEN TOLERANCES Fraction Decimals Angles x ±0.50 ±1° x.x ±0.38 x.xx ±0.25 x.xxx ±0.10		DWG. Kate 11/02/10'		
PART NO. MTCL-188XXSB-R	REV. B	SCALE 2:1	SHEET 2 of 2	CKD. Justin 11/02/10'	B Update Drawing 11/02/10'	
REF. NO.	QA. NO.			APPD. Justin 11/02/10'	A New Release 06/09/09'	
				REV.	DESCRIPTION	DATE

4

3

2

1

4

3

2

1

Order Information
 MTCL-188XXSB-R

— Selective Gold Plating

0: Gold Falsh
 1: 6u" Gold
 2: 15u" Gold
 3: 30u" Gold
 4: 50u" Gold

LED Code

LED Code

CODE	LED 2<LEFT>	LED 1<Right>
0	NO LED	NO LED
1	Yellow	Green
2	NO LED	Green
3	Green	Yellow
4	Green	Green
5	Yellow	Yellow
6	Yellow/Green	Yellow/Green
7	Green /RED	Green /RED
8	Yellow/Green	Yellow
9	Green/Orange	Yellow

FURTHER LED OPTIONS AVAILABLE ON REQUEST

gtk GTK UK Ltd

TITLE SINGLE PORT MODULAR JACK
 WITH LED, SHIELDED WITH
 GROUNDING TABS



All Dimensions
 in mm

OPEN TOLERANCES
 Fraction Decimals Angles
 X ±0.50 ± 1°
 X.X ±0.38
 X.XX ±0.25
 X.XXX ±0.10

DWG. Kate 11/02/10'

CKD. Justin 11/02/10'

APPD. Justin 11/02/10'

PART NO. MTCL-188XXSB-R

REV. B

SCALE 2 : 1

SHEET 2 of 2

REF. NO.

QA. NO.

B	Update Drawing	11/02/10'
A	New Release	06/09/09'
REV.	DESCRIPTION	DATE

4

3

2

1