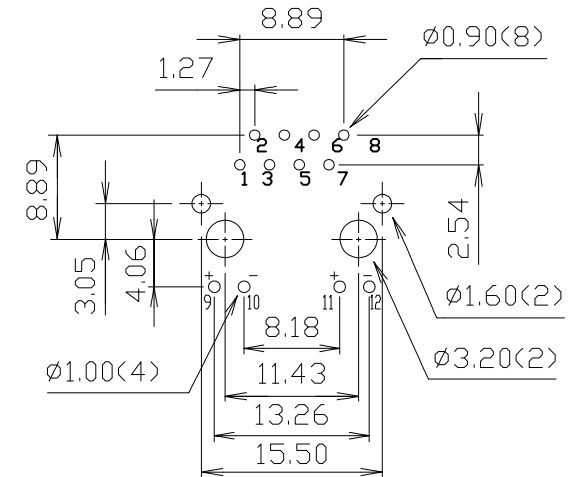
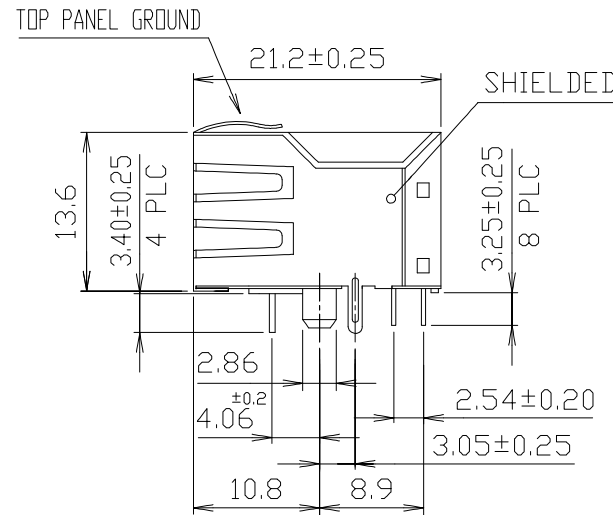
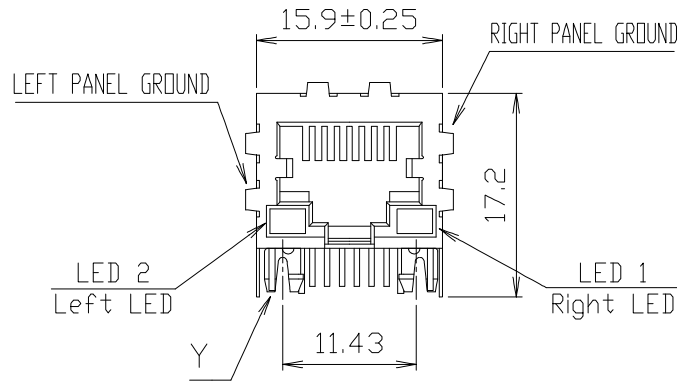
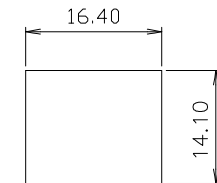
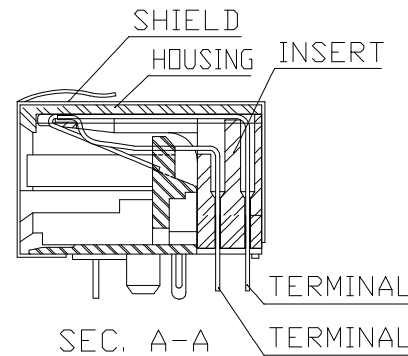
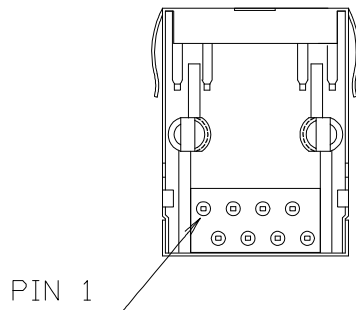


MATERIALS:

- HOUSING-PBT POLYESTER UL94V-0 MIXED GLASS FIBER. STANDARD COLOR-BLACK.
 - CONTACTS-0.35mm THICK PHOS-BRONZE PLATED WITH HARD GOLD AND GOLD FLASH IN SOLDER AREA.
 - SHIELD-0.25mm THICK COPPER ALLOY, PLATED WITH NICKEL.
- CAVITY CONFIRMS TO FCC RULES AND REGULATIONS PART 68,SUBPART F.



Recommended PCB Layout
(Component Side)



Recommended Panel Cut-out



CAT 5 SINGLE PORT RJ45 WITH LEDS, SIDE ENTRY, LATCH DOWN, SHIELDED WITH GROUNDING TABS		OPEN TOLERANCES Fraction Decimals Angles X ±0.50 ±1° XX ±0.38 XXX ±0.25 XXXX ±0.10		DWG. Kate 11/02/10'		
PART NO. MTCL-188XXSB-D-R	REV. B	SCALE 2 : 1	SHEET 1 of 2	CKD. Justin 11/02/10'	B	Update Drawing 11/02/10'
REF. NO.	QA. NO.			APPD. Justin 11/02/10'	A	New Release 06/09/09'
					REV.	DESCRIPTION DATE

Order Information
 MTCL-188XXSB-D-R

LED Code

Plating

0: Gold Flash
 1: 6u" Gold
 2: 15u" Gold
 3: 30u" Gold
 4: 50u" Gold

LED Code

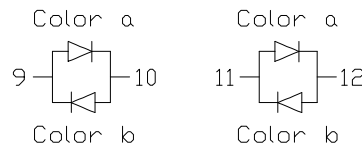
CODE	LED 2<LEFT>	LED 1<Right>
0	NO LED	NO LED
1	Yellow	Green
2	NO LED	Green
3	Green	Yellow
4	Green	Green
5	Yellow	Yellow
6	Yellow/Green	Yellow/Green
7	Green /RED	Green /RED
8	Yellow/Green	Yellow
9	Green/Orange	Yellow

FURTHER LED OPTIONS AVAILABLE ON REQUEST

Single Color LED



Bi-Color LED



TITLE CAT 5 SINGLE PORT RJ45 WITH LEDS, SIDE ENTRY, LATCH DOWN, SHIELDED WITH GROUNDING TABS	OPEN TOLERANCES Fraction Decimals Angles x ±0.50 ± 1° x.X ±0.38 x.XX ±0.25 x.XXX ±0.10	DWG. Kate 11/02/10'		
		CKD. Justin 11/02/10'		
PART NO. MTCL-188XXSB-D-R	REV. B	SCALE 2:1	SHEET 2 of 2	APPD. Justin 11/02/10'
REF. NO.	QA. NO.			REV. DESCRIPTION DATE