

1 2 3 4 5 6 7 8

A

B

C

D

E

A

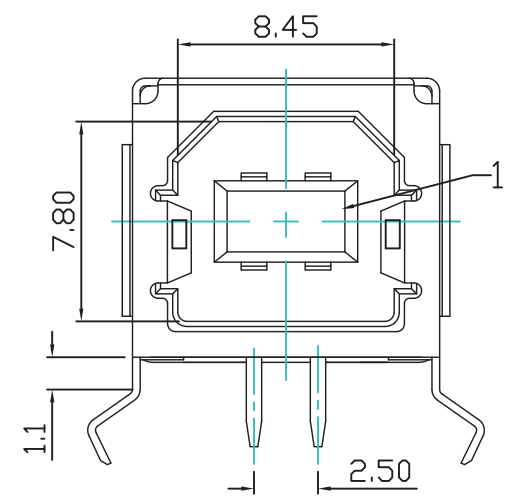
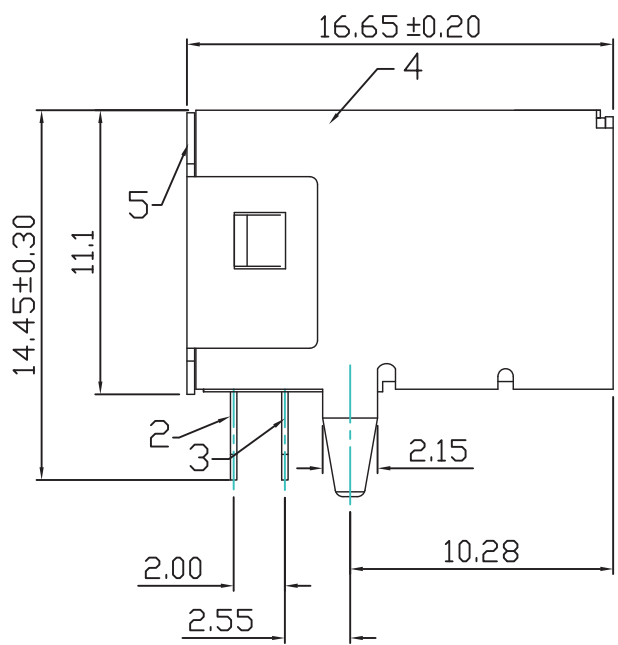
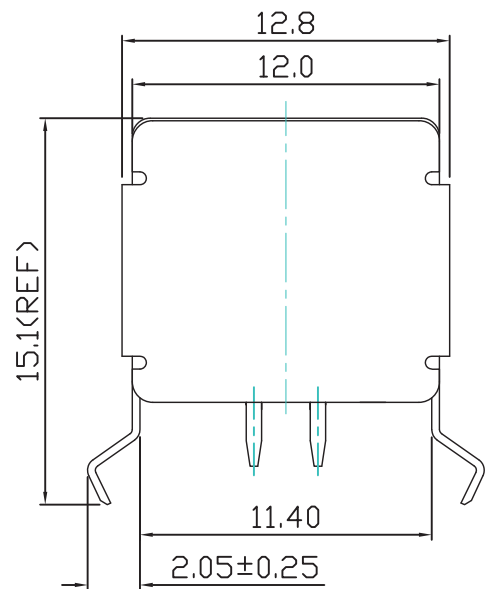
B

C

D

E

F



ELECTRICAL CHARACTERISTICS:
 30V DC/AC 1A Max.
 CONTACT RESISTANCE: 30mΩ Max.
 INSULATION RESISTANCE:
 100MΩ Min.at 500V DC.
 DIELECTRIC STRENGTH:
 750V AC/1 minute.
 INSERTION FORCE: 3.6kgf MAX
 WITHDRAWAL FORCE: 1.0kgf MIN

NOTES:
 1. PART NO: UB0800GXX(白)
 UB0810GXX(黑)

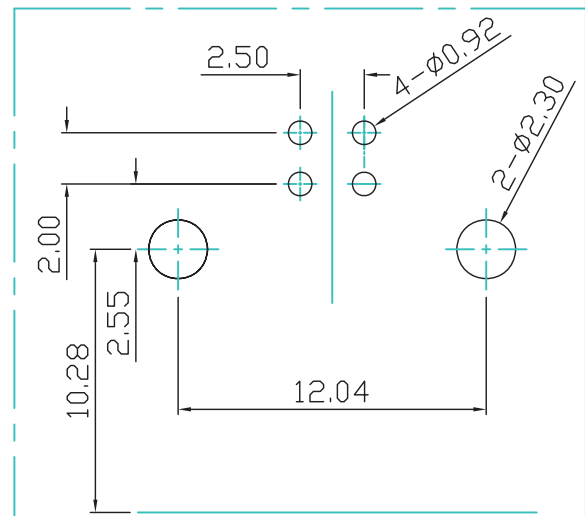
BOM:

項次	名稱	料號	數量	材質	電鍍或顏色
5	後蓋	UB0054002	1	SPCC(1/2H) T=0.30MM	鍍鎳
4	母座外殼(90°)	UB0098001	1	BRASS(H), T=0.30MM	鍍鎳
3	焊線端子B	UB00350XX	2	PHOSPHOR BRONZE, T=0.25MM	SEE TABLE
2	焊線端子A	UB00340XX	2	PHOSPHOR BRONZE, T=0.25MM	SEE TABLE
1	膠心	UB0025000(白) UB0026000(黑)	1	高溫材料	白或黑

TABLE

XX	電鍍
11	G.F/TIN PLATED前金後錫
12	3u" G/TIN PLATED前金後錫
13	5u" G/TIN PLATED前金後錫
14	10u" G/TIN PLATED前金後錫
15	15u" G/TIN PLATED前金後錫
16	20u" G/TIN PLATED前金後錫
17	30u" G/TIN PLATED前金後錫
18	50u" G/TIN PLATED前金後錫
29	6u" G/TIN PLATED前金後錫

PCB LAYOUT



Connector edge



DRAWN BY	王焱生	ITEM	USB CONNECTOR(Series B)
CHECKED BY		PART NO	SEE NOTES
APPROVED BY		TOLERANCE	.X±0.2 .XX±0.1

USB CONNECTOR(Series B)
 - 母座(90°)加后蓋

ANGLE PROJECTION	UNIT	mm	修改圖面與實物一致	08/13/2010
SCALE	5:1	DATE	08/13/2010	REVISION
DESCRIPTION	DESCRIPTION	DATE	DATE	DATE

1 2 3 4 5 6 7 8