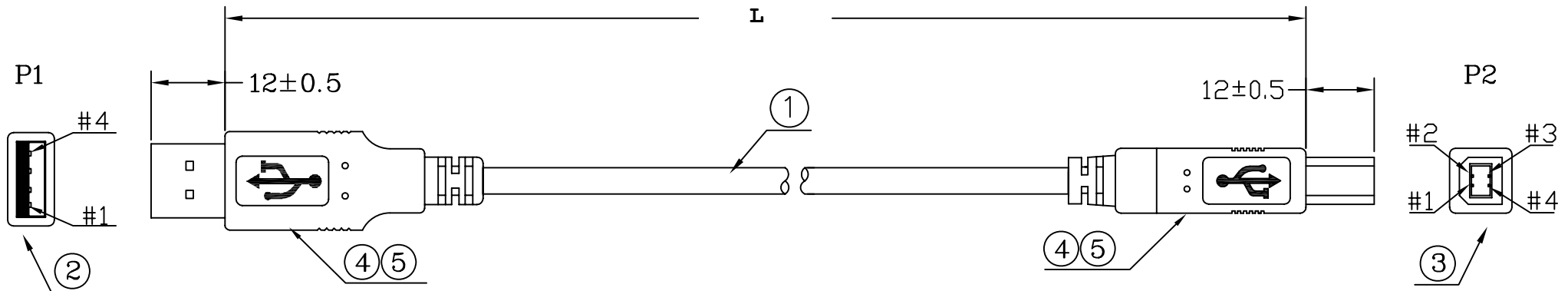

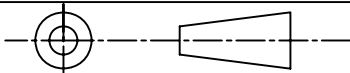


DESCRIPTION CONTROL			
REV	DESC	DATE	ECN NO



					INNER MOLDING				
					OUTER MOLDING	USB A-01	USB-B02		
					 <b>GTK UK Ltd</b>				
							ITEM: <b>USB AM TO USB BM</b>		REV
					DRAW, BY: 劉坤		SCALE: NONE		DATE: 2008.06.30
					CHECK, BY:		CUSTOMER: C307		PAGE: 1/1
					APP, BY:		CUSTOMER P/N: <b>USB2-51AH-XXM-R</b>		
					ALL DIMENSIONS IN mm				
NO	PART NO	DESCRIPTION	QTY	UNIT					

PIN ASSIGNMENT

