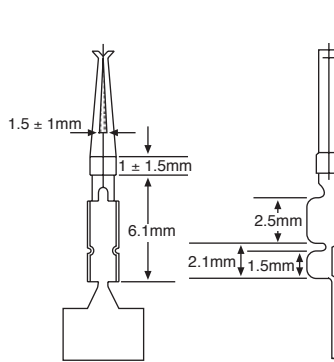
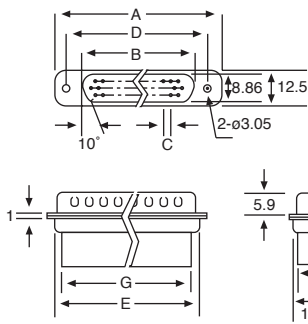


Crimp

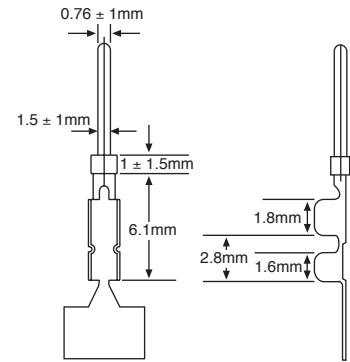
D-Sub - High Density Cable Assembly Connectors

PLUG

(15 to 62 Way)



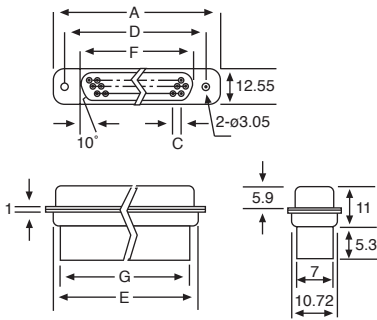
FEMALE CONTACTS



MALE CONTACTS

SOCKET

(15 to 62 Way)



Position	Dimension							Part Number	
	A	B	C	D	E	F	G	Plug	Socket
15	30.80	16.92	2.29	24.99	19.28	16.33	14.90	HDT15PTB1	HDT15STB2
26	39.10	25.25	2.29	33.32	21.51	24.66	23.90	HDT26PTB1	HDT26STB2
44	53.00	38.25	2.29	47.04	41.30	38.38	37.70	HDT44PTB1	HDT44STB2
62	69.30	55.42	2.41	63.50	57.71	54.84	54.10	HDT62PTB1	HDT62STB2
78	66.90	55.00	2.41	61.10	55.30	54.40	51.66	HDT78PTB1	HDT78STB2

for more information call
01344 304123

