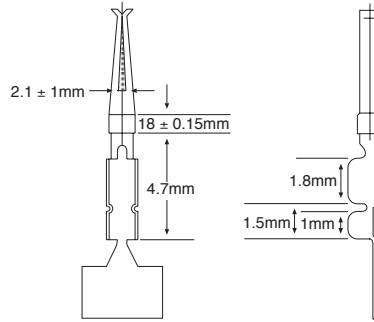
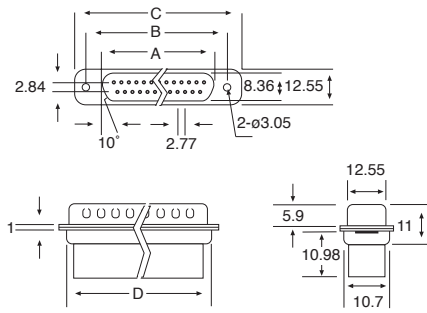


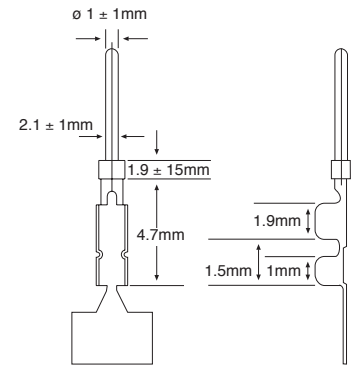
Crimp

D-Sub Cable Assembly Connectors

PLUG (9 - 37 way)

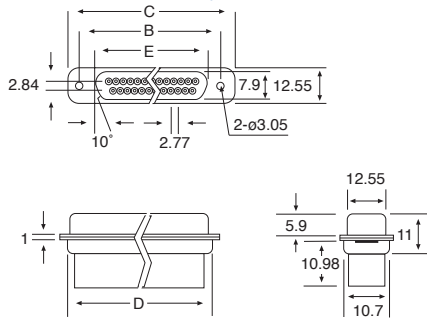


FEMALE CONTACTS



MALE CONTACTS

SOCKET (9 - 37 way)



Position	Dimension					Part Number	
	A	B	C	D	E	Plug	Socket
9	16.92	24.99	30.81	19.28	16.33	DET09PTB1	DET09STB2
15	25.25	33.32	39.14	27.51	24.66	DAT15PTB1	DAT15STB2
25	38.96	47.04	53.04	41.30	38.38	DBT25PTB1	DBT25STB2
37	55.42	63.50	69.32	57.71	54.84	DCT37PTB1	DCT37STB2
50	52.86	61.11	66.90	55.30	52.34	DDT50PTB1	DDT50STB2

for more information call
01344 304123

