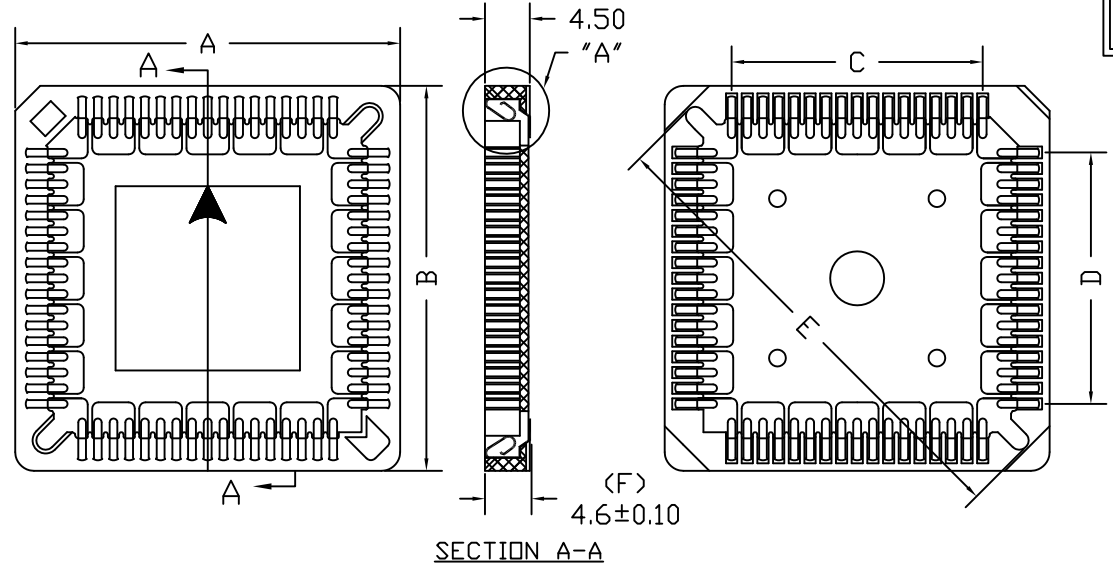


RoHS COMPLIANT

REVISIONS		
REV.	DATE	DESCRIPTION
A	2005.03.02	[(38.83)39.00] [(46.00)46.10]

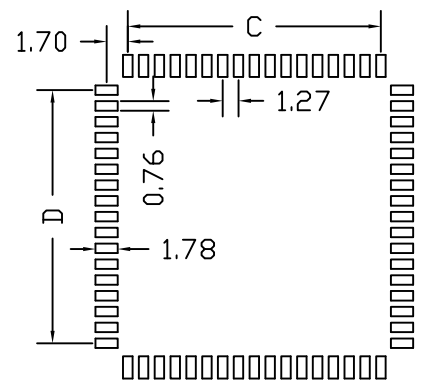


**MATERIAL:**

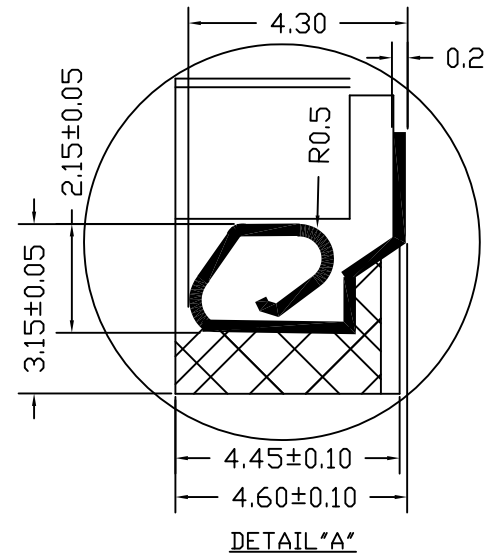
INSULATOR :Hi-temp PPS.UL 94V-0, 240° C  
 Contact material:phosphor bronze JIS 5210  
 Contact Platred :120u"tin over 40u"nickel

**SPECIFICATIONS:**

Temperature range:-50° C to 105° C  
 CURRENT Rating :1 AMP  
 Capacitance:1.0 Picoforads (Min)  
 Contact resistance:30 Milliohms (Min)  
 Insulation Resistance :1000 Megohms (Min)  
 Withstanding Voltage: AC 600 Vrms



P.C.B LAYOUT



DETAIL "A"

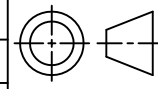
NO OF CONTACT	A±0.2	B±0.2	C±0.1	D±0.1	E±0.2
20	15.66	15.66	5.08	5.08	17.28
28	18.20	18.20	7.62	7.62	20.87
32	18.20	20.74	7.62	10.16	22.60
44	23.28	23.28	12.70	12.70	28.30
52	25.82	25.82	15.24	15.24	31.65
68	30.90	30.90	20.32	20.32	39.00
84	35.98	35.98	25.40	25.40	46.10

UNIT/mm

**gtk** GTK UK Ltd

SURFACE SMT PLCC SOCKET \*\*PIN

料號	PLCCXTS-R	日期	2003-7-25
核		繪	CYX



TOLERANCES (EXCEPT AS NOTED)  
 MM 0.0=±0.25 0.00=±0.15  
 INCH 0.00=±0.01 0.000=±0.006  
 RADIUS ±0.25[0.010]  
 HOLE ±0.13[0.005]  
 ANGLES ±2°