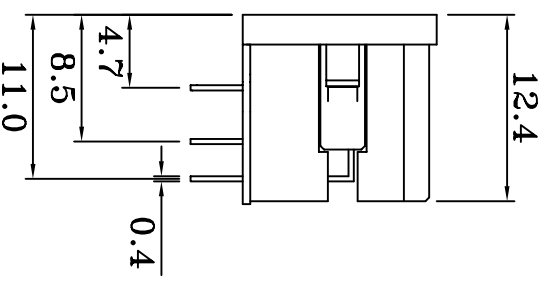
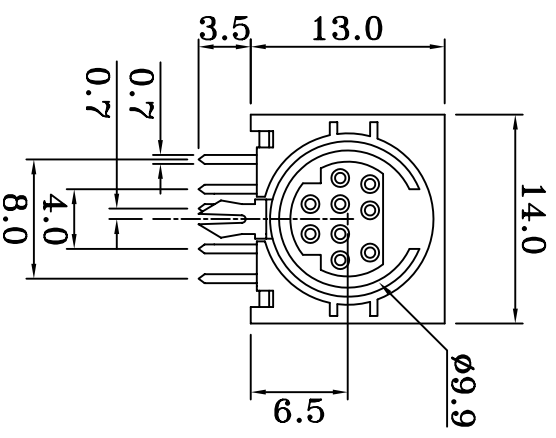
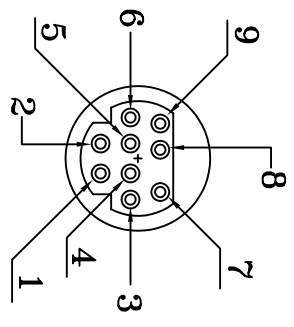
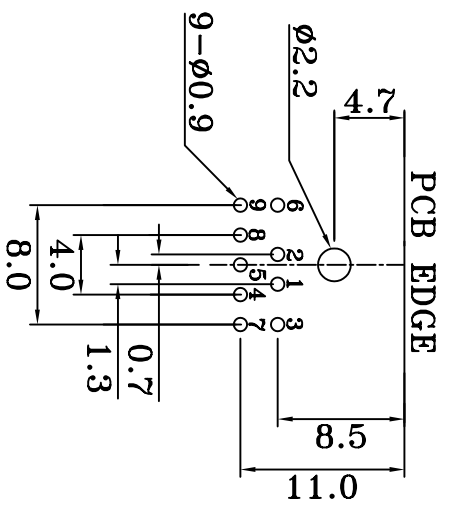


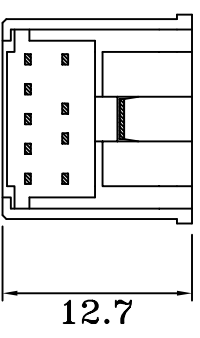
REV	ZONE	REVISION	DATE



PCB LAYOUT
(BOTTOM VIEW)



ROHS COMPLIANT



NO.	NAME	MATERIAL	FINISH	Q'TY	REMARK
1	HOUSING	P.B.T.	BLACK	1	
2	CONTACT TERM.	PHOS. BRONZE T:0.25	GOLD-TIN PLATED	9	Gold:1~3 μ l ⁿ ; Ni:40~60 μ l ⁿ ; TIN:120 μ l ⁿ (100% pure Tin of lead free plating)
3	GROUND TERM.	BRASS T:0.4	TIN PLATED	1	TIN:120~200 μ l ⁿ
4	BOTTOM COVER	P.B.T.	BLACK	1	

COMPUTER NO.	UNIT	SCALE	PART NAME
D:\DWG\MDJ9DP-R	mm	2:1	MINI DIN JACK

APPD.	CKD.	DWG.	DATE	TOLERANCE	PART NO.	REV.
			24-02-05	±0.3		A



GTK UK LTD.

MODEL	PAGE	1 OF 1
MDJ9DP-R		