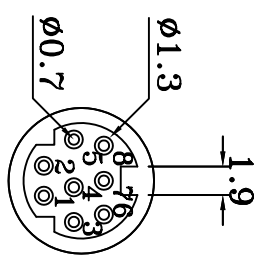
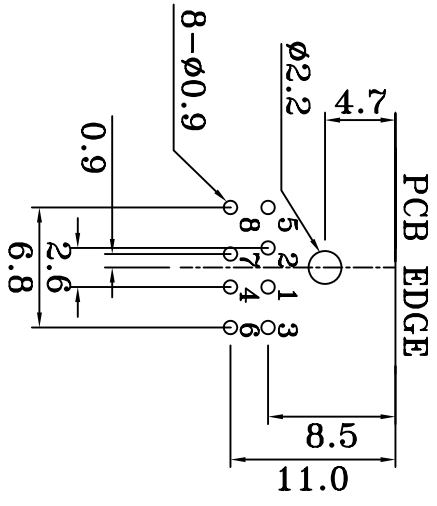
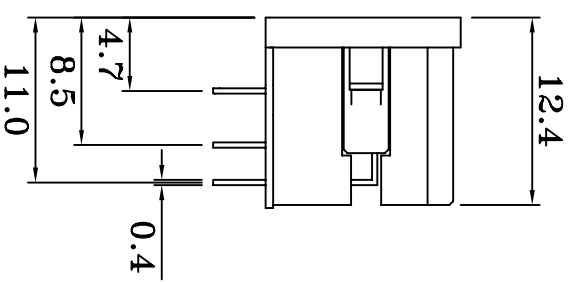
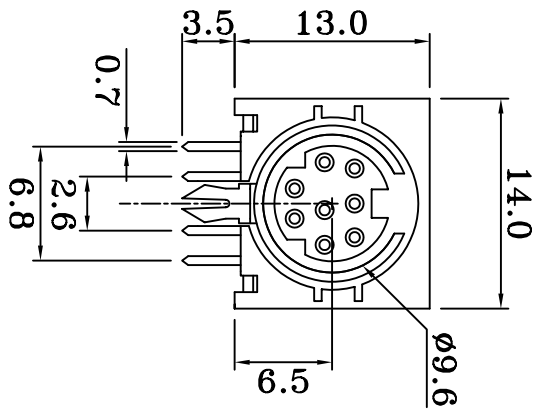
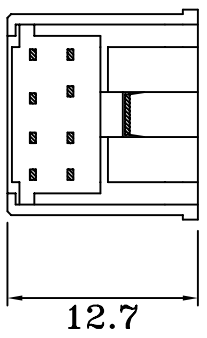


| REV ZONE | REVISION | DATE |
|----------|----------|------|
|          |          |      |
|          |          |      |
|          |          |      |



PCB LAYOUT  
(BOTTOM VIEW)

ROHS COMPLIANT



| NO. | NAME          | MATERIAL            | FINISH          | Q'TY | REMARK   |
|-----|---------------|---------------------|-----------------|------|--|
| 1   | HOUSING       | P.B.T.              | BLACK           | 1    |  |
| 2   | CONTACT TERM. | PHOS. BRONZE T:0.25 | GOLD-TIN PLATED | 8    | Gold:1~3 $\mu$ " ; Ni:40~60 $\mu$ " ; TIN:120 $\mu$ " (100% pure Tin of lead free plating) |
| 3   | GROUND TERM.  | BRASS T:0.4         | TIN PLATED      | 1    | TIN:120~200 $\mu$ "  |
| 4   | BOTTOM COVER  | P.B.T.              | BLACK           | 1    |  |



| COMPUTER NO.    | UNIT | SCALE | PART NAME     |
|-----------------|------|-------|---------------|
| D:\DWG\MDJ8DP-R | mm   | 2:1   | MINI DIN JACK |

| MODEL    | PAGE | 1 OF | TINA    | DATE | TOLERANCE | PART NO. | REV. |
|----------|------|------|---------|------|-----------|----------|------|
| MDJ8DP-R | 1    | 1    | 4-11-00 | ±0.3 |           |          | A    |