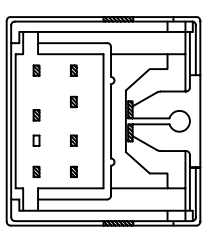
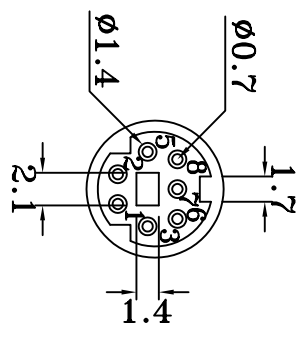
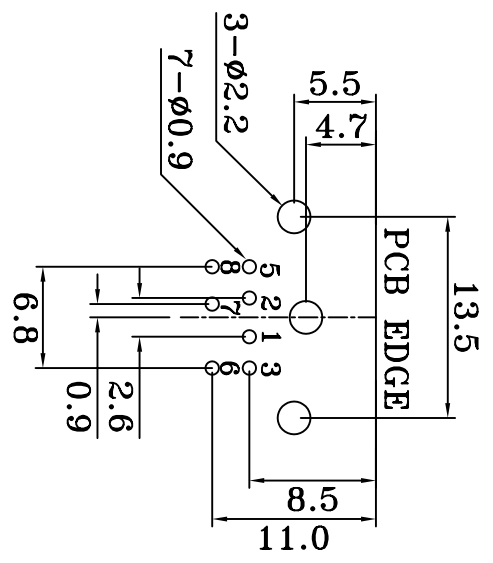
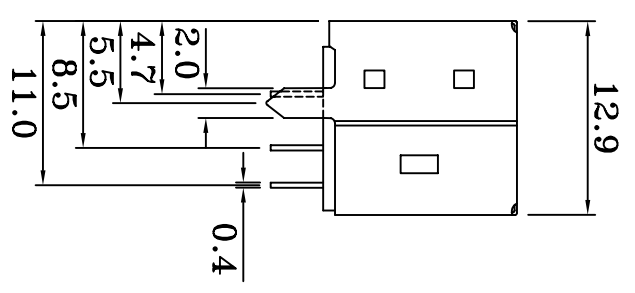
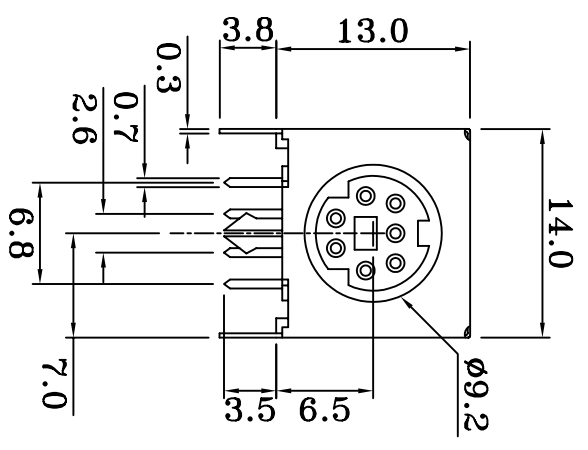


REV	ZONE	REVISION	DATE



NO.	NAME	MATERIAL	FINISH	Q'TY	REMARK
1	HOUSING	P.B.T.	BLACK	1	
2	CONTACT	PHOS. BRONZE	GOLD-TIN PLATED	7	Gold:1~3 μ r ; Ni:40~60 μ r ; TIN:120 μ r (100% pure Tin of lead free plating)
3	SHIELD	COPPER ALLOY	TIN PLATED	1	TIN:3~5 μ
4	BACK COVER	P.B.T.	BLACK	1	

PCB LAYOUT
(BOTTOM VIEW)

ROHS COMPLIANT



COMPUTER NO. UNIT SCALE PART NAME

D:\DWG\MDJ7DM-R mm 2:1 MINI DIN JACK

APPD. CKD. DWG. DATE TOLERANCE PART NO. REV.

MODEL MDJ7DM-R PAGE 1 OF 1 TINA 28-11-05 ±0.3 A