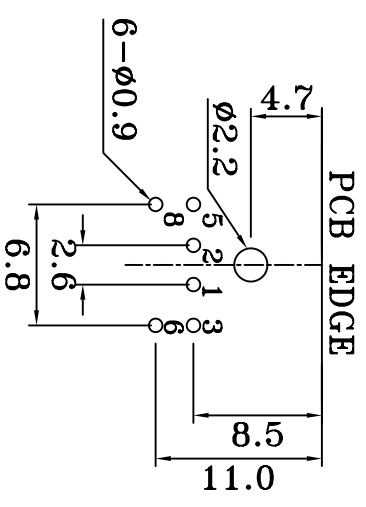
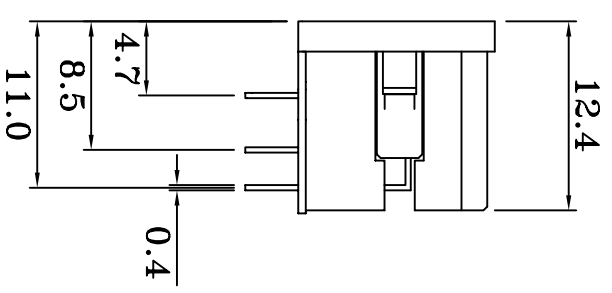
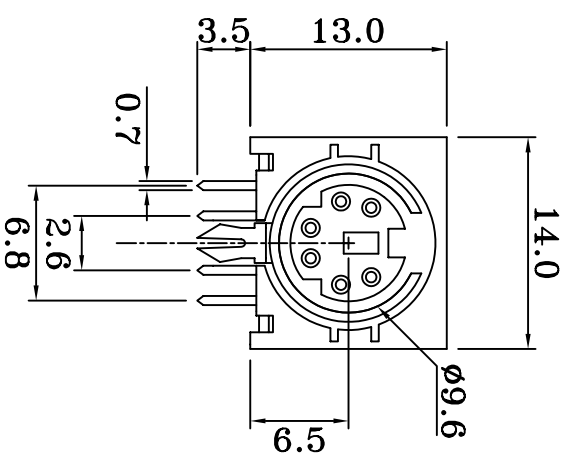
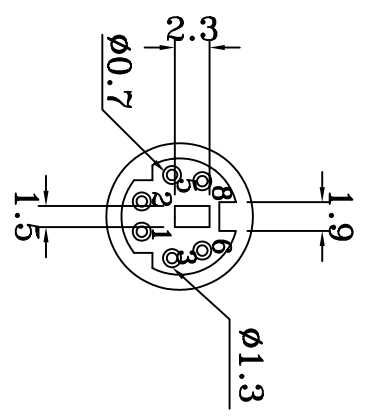


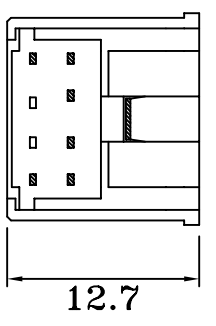
REV	ZONE	REVISION	DATE



PCB LAYOUT
(BOTTOM VIEW)



ROHS COMPLIANT



NO.	NAME	MATERIAL	FINISH	Q'TY	REMARK
1	HOUSING	P.B.T.	BLACK	1	
2	CONTACT TERM.	PHOS. BRONZE T:0.25	GOLD-TIN PLATED	6	Gold:1~3 μ m ; Ni:40~60 μ m ; TIN:120 μ m (100% pure Tin of lead free plating)
3	GROUND TERM.	BRASS T:0.4	TIN PLATED	1	TIN:120~200 μ m
4	BOTTOM COVER	P.B.T.	BLACK	1	



GTK UK LTD.

COMPUTER NO. UNIT SCALE PART NAME

D:\DWG\MDJ6DP-R mm 2:1 MINI DIN JACK

APPD. CKD. DWG. DATE TOLERANCE PART NO. REV.

MODEL MDJ6DP-R PAGE 1 OF 1