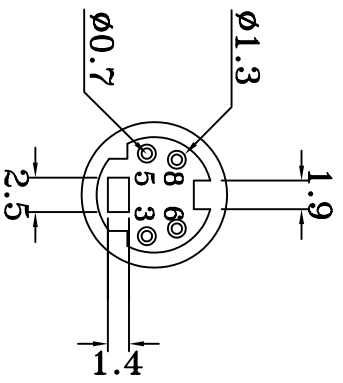
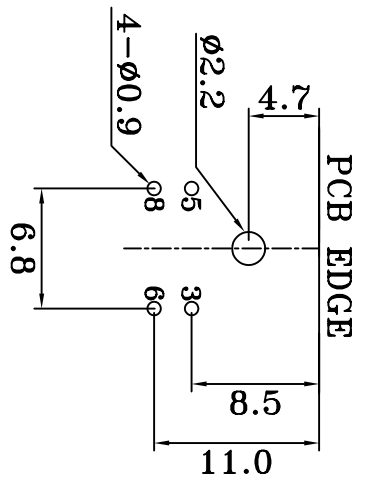
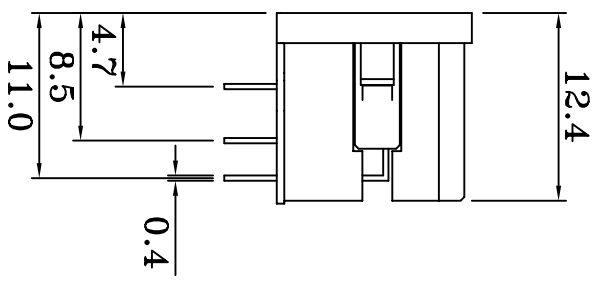
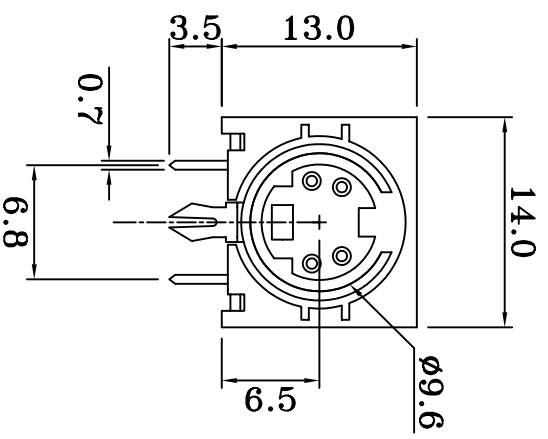
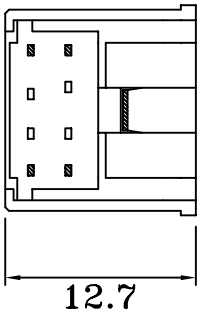


REV. NO.	REV. DATE	REV. DESCRIPTION



PCB LAYOUT
(BOTTOM VIEW)

ROHS COMPLIANT



NO.	NAME	MATERIAL	FINISH	Q'TY	REMARK
1	HOUSING	P.B.T.	BLACK	1	
2	CONTACT	PHOS. BRONZE	GOLD-TIN PLATED	4	Gold:1~3u"; Ni:40~60u"; TIN:120u" (100% pure Tin of lead free plating)
3	GROUND	BRASS	TIN PLATED	1	TIN:3~5u
4	BACK COVER	P.B.T.	BLACK	1	

COMPUTER NO.	UNIT	SCALE	PART NAME
D:\DWG\MDJ4DP-R	mm	2:1	MINI DIN JACK



GTK UK LTD.

MODEL	PAGE	OF	APPD.	CKD.	DWG.	DATE	TOLERANCE	PART NO.	REV.
MDJ4DP-R	1	OF			TINA	4-11-00	±0.3		A