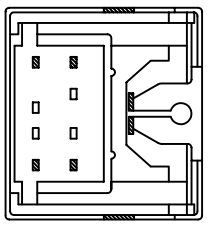
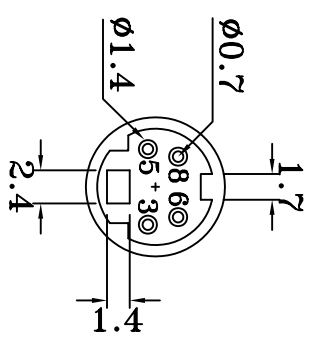
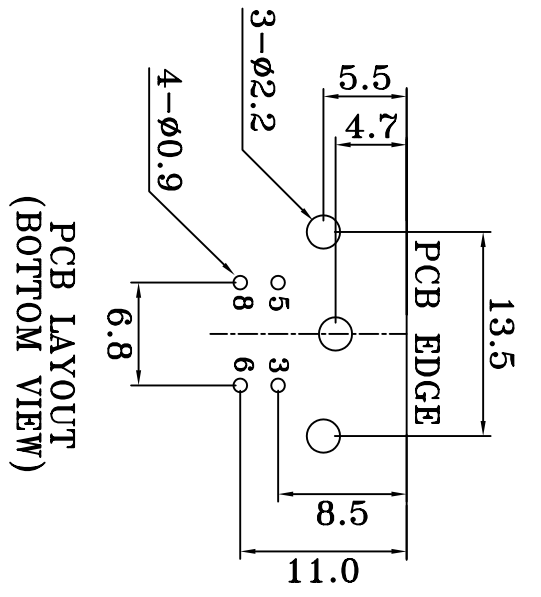
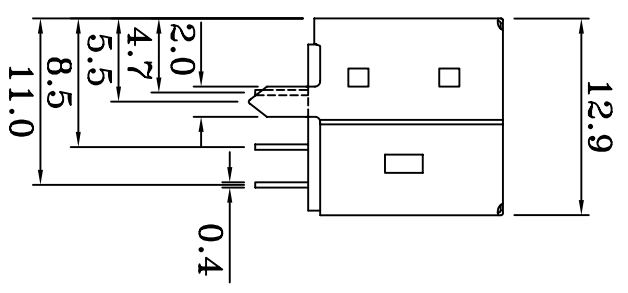
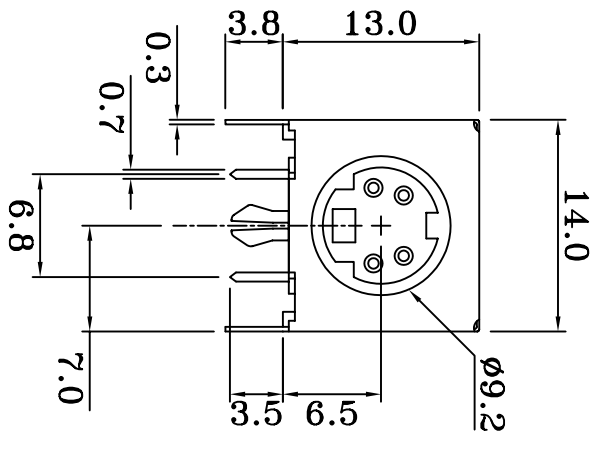


REV. NO.	REV. ZONE	REVISION	DATE



NO.	NAME	MATERIAL	FINISH	Q'TY	REMARK
1	HOUSING	P.B.T.	BLACK	1	
2	CONTACT	PHOS. BRONZE	GOLD-TIN PLATED	4	Gold:1~3u" ; Ni:40~60u" ; TIN:120u" (100% pure Tin of lead free plating)
3	SHIELD	COPPER ALLOY	TIN PLATED	1	TIN:3~5u
4	BACK COVER	P.B.T.	BLACK	1	

ROHS COMPLIANT



GTK UK LTD.

COMPUTER NO. UNIT SCALE PART NAME

D:\DWG\MDJ4DM-R mm 2:1 MINI DIN JACK

APPD. CKD. DWG. DATE TOLERANCE PART NO. REV.

MODEL MDJ4DM-R PAGE 1 OF 1 TINA 5-5-00 ±0.3 A