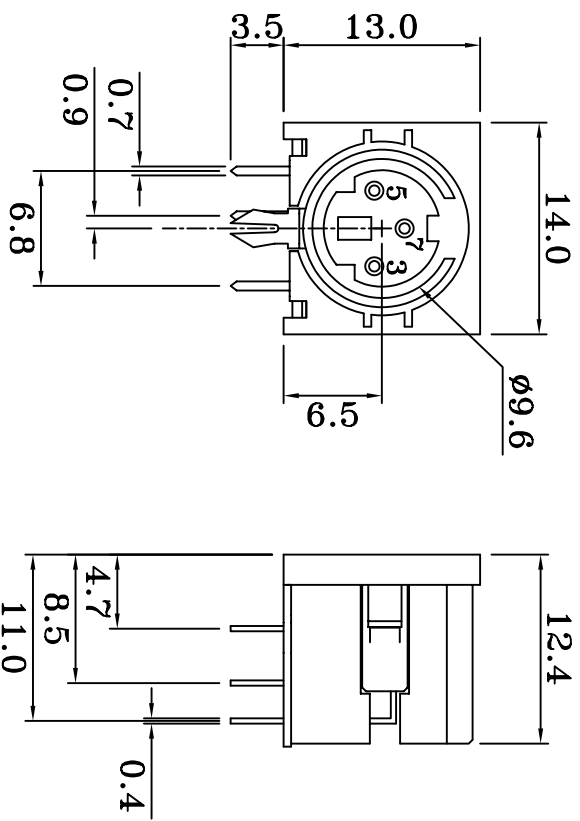
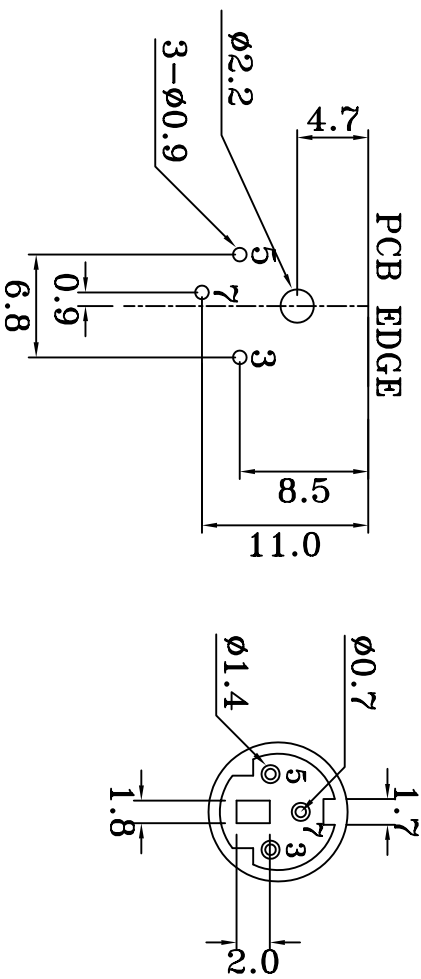


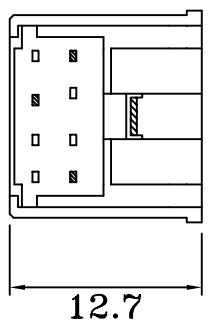
REV	ZONE	REVISION	DATE



PCB LAYOUT
(BOTTOM VIEW)



ROHS COMPLIANT



NO.	NAME	MATERIAL	FINISH	Q'TY	REMARK
1	HOUSING	P.B.T.	BLACK	1	
2	CONTACT	PHOS. BRONZE	GOLD-TIN PLATED	3	Gold:1~3u" ; Ni:40~60u" ; TIN:120u" (100% pure Tin of lead free plating)
3	GROUND	BRASS	TIN PLATED	1	TIN:3~5u
4	BACK COVER	P.B.T.	BLACK	1	



COMPUTER NO. UNIT SCALE PART NAME

D:\DWG\MDJ3DP-R mm 2:1 MINI DIN JACK

APPD. CKD. DWG. DATE TOLERANCE PART NO. REV.

MODEL MDJ3DP-R PAGE 1 OF 1 TINNA 07-07-05 ±0.3 A