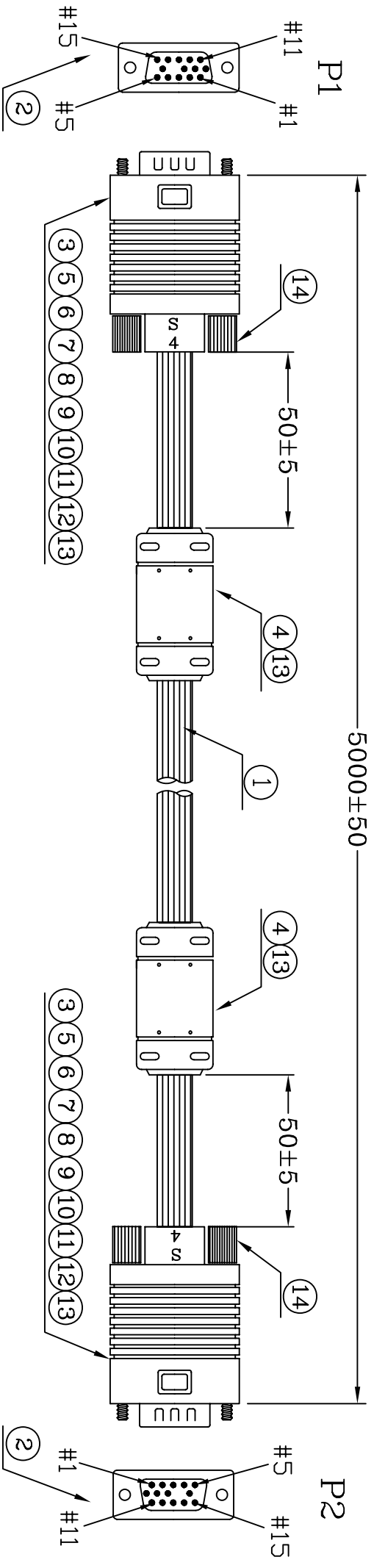


DESCRIPTION CONTROL			
REV	DESC	DATE	ECN NO.
B	Δ B	2002/06/05	E0206009

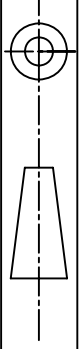


* PIN ASSIGNMENT	P1	P2	ND	PART NO.	DESCRIPTION	QTY	UNIT
1	CDAX-RED-IN	1					
2	CDAX-RED-GND	6					
3	CDAX-GREEN-IN	2					
4	CDAX-GREEN-GND	7					
5	CDAX-BLUE-IN	3					
6	CDAX-BLUE-GND	8					
7		4					
8		5					
9		10					
10		11					
11		12					
12		13					
13		14					
14		15					
15		S					

1	310000000011	CARTDN:46*30*20CM	Δ B	1/20	PCS
2	300010000001	PE BAG:30**28**0.08MM		1/20	PCS
3	300030000128	PE BAG:10**12**0.06MM		1	PCS
4	220040000008	CAP:0.9PINK(HIGH DENSITY PE)		2	PCS
5	240010200051	SRW-Q39.6/BK10/Z2		4	PCS
6	120010000031	PVC-BK10/50		70.0	G
7	230020000002	SDL-WIRE-FULL-TIN-1.2		4.0	G
8	210040000005	TAPE:W:12MM/L:40MM		2	PCS
9	210030000025	HI TEAMP TAPE:W:24MM/L:70MM		2	PCS
10	210010000044	FOL- <u>CU-31</u> *55MM		2	PCS
11	120020000001	PE-5321		8.0	G
12	200032000057	TUBE-HT- ϕ 3.0*8MM		6	PCS
13	200032000043	TUBE-HT- ϕ 2.0*6MM		6	PCS
14	200032000004	TUBE-HT- ϕ 1.0*12MM		6	PCS
15	230010000014	CDRE:1.7.5**27*9.5MM		2	PCS
16	230020000001	SDL-WIRE-FULL-TIN-1.0		0.75	G
17	110021015002	CDS-HISP<BK>/-9		2	PCS
18	100202911088	28/28-3C/8C+4+D+B-BK10 -5.0M-8.8U2919 <聯穎齒狀>		1	PCS

ROHS COMPLIANT

NOTE:
 1. CABLE COLOR : BLACK 10#. <齒狀>
 2. CONNECTOR HD15P : NO.9PIN NO CONNECTION.
 3. MOLDING COLOR : BLACK 10#.



GTK GTR UK Ltd

ITEM:	MA1515100000143	REV	B
DRAW, BY:	Lenber	SCALE:	DATE: 2001/02/10
CHECK, BY:		CUSTOMER:	C301
APP, BY:		CUSTOMER P/N/MH:	04AS-5M-R
ALL DIMENSIONS IN mm			