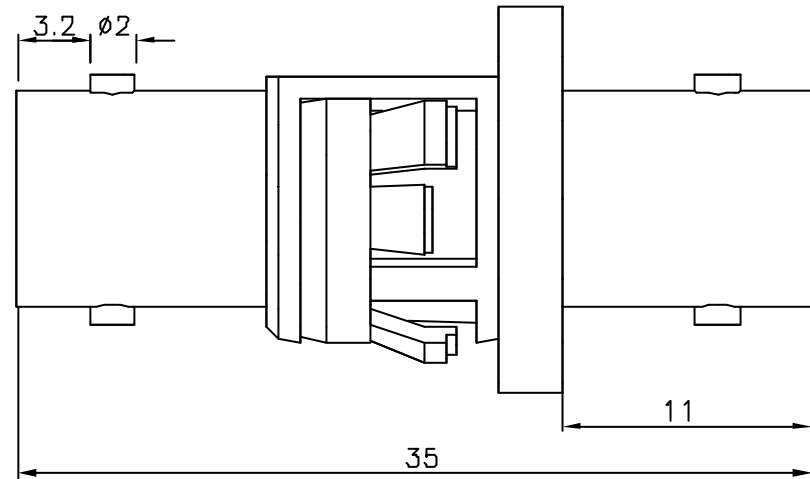
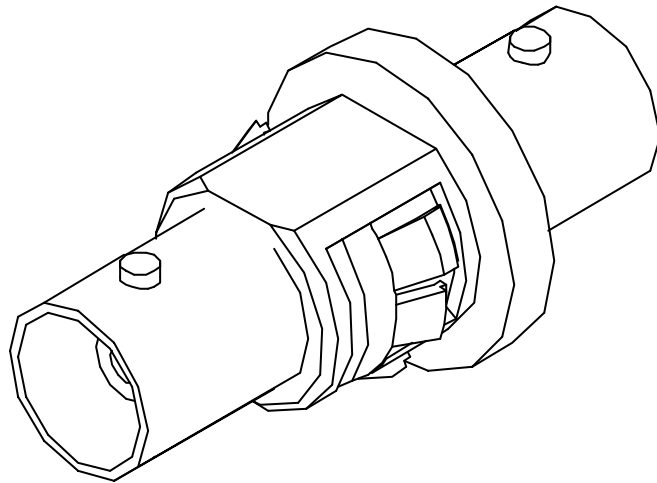
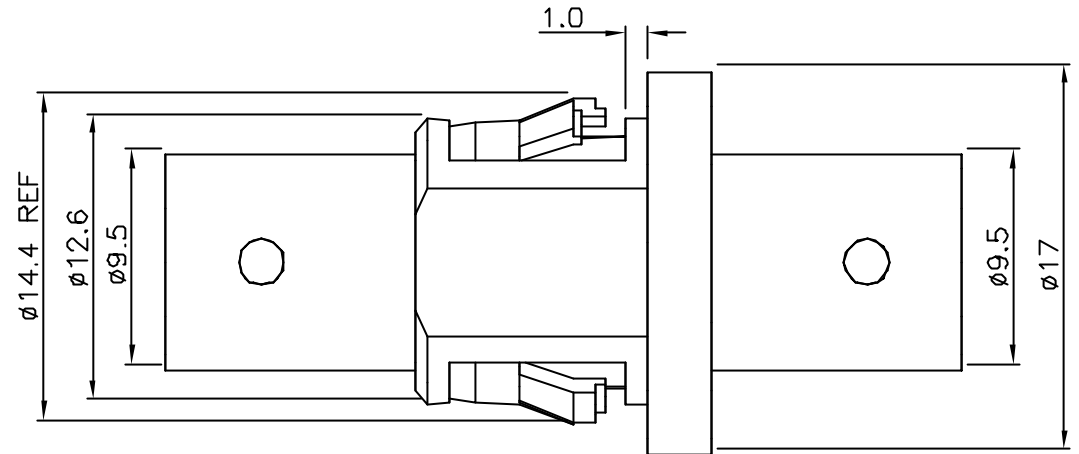
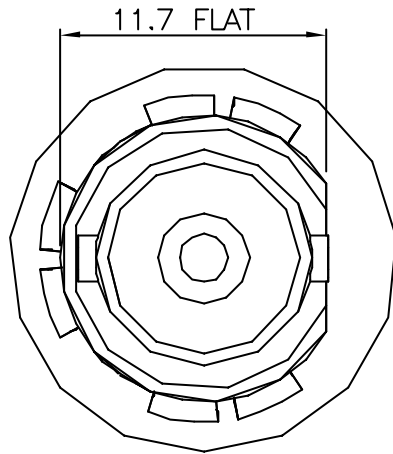


REVISIONS	
ISS	DESCRIPTION \ DATE
1	



gtk.co.uk

APRD:

CHKD:

DR:

UNLESS OTHERWISE SPECIFIED TOLERANCES
 0.5-6 = ±0.2
 >6-30 = ±0.4
 >30-120 = ±0.6
 >120-315 = ±1
 >315-1000 = ±1.6
 ANGLES = ±5°

TITLE: DOUBLE BNC FEMALE BULKHEAD PRESS FIT

PART NO: B016N003

DRAWING NO: 20007-020

DATE: 01/18/07"

SHEET: .

UNIT: mm

SCALE: 3/1

NO.	DESCRIPTION	MATERIAL	FINISH	SGS REPORT NO
	SRPING	PC	WHITE	KA/2005/50917
	INSULATOR BODY	ABS	WHITE	KA/2005/50915
	CONTACT PIN	BRASS	GOLD	KA/2005/10527 \ KA/2005/30993
	INSULATOR	TEFLON	WHITE	KA/2005/50918
	BODY	BRASS	NICKEL	KA/2005/10527 \ KA/2005/60362