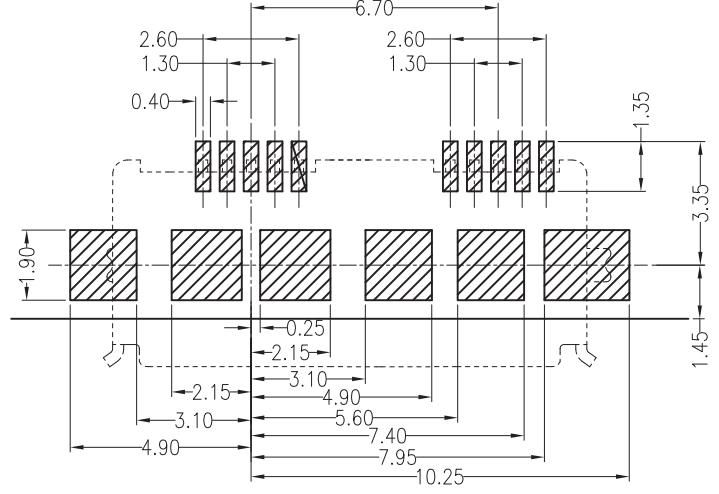
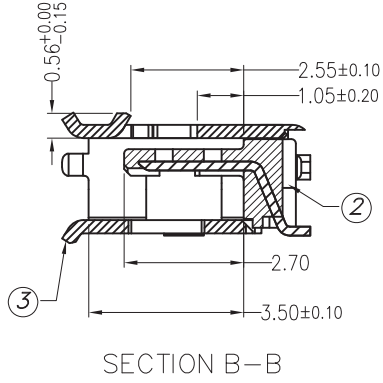
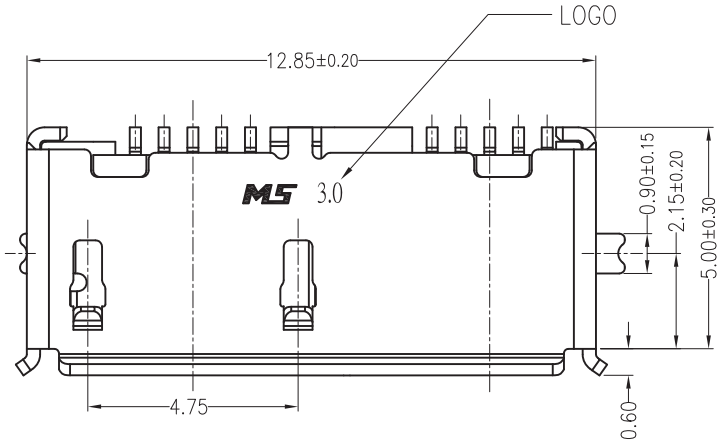
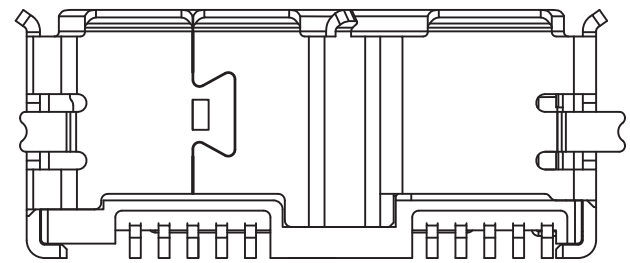
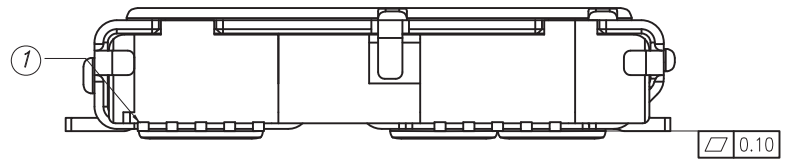
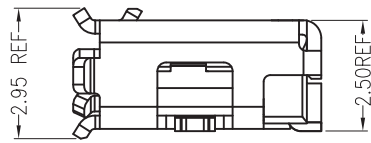
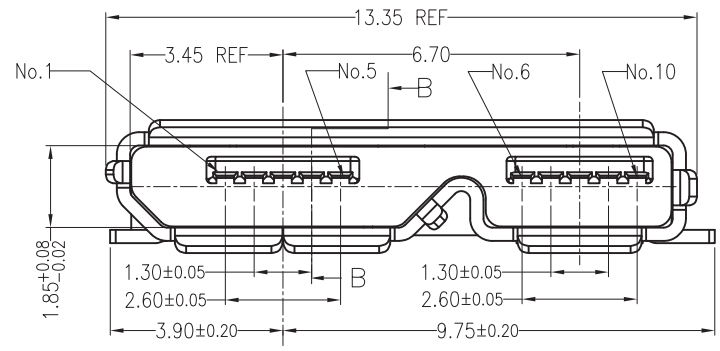


THIS DRAWING CONTAINS INFORMATION THAT IS PROPRIETARY TO GTK INCORPORATED AND SHOULD NOT BE USED WITHOUT WRITTEN REMISSION.



PCB LAYOUT  
COMPONENT SIDE TOLERANCE:±0.05



NEW PART NO.	HOUSING COLOR	CONTACT AREA	LOGO	NEW PART NO.
000040811-00001	BLACK	Au 30u"	MS 3.0	AK6AA010K1

3	SHELL	STAINLESS STEEL,T=0.30	30u" NICKEL OVER PLATED	
2	HOUSING	HIGH TEMPERATURE THERMOPLASTICS	COLOR:BLACK	
1	CONTACT	COPPER ALLOY,T=0.20	CONTACT AREA:Au 30u" SOLDER AREA:Au 3u"	

A	CHANGE PART NO. BY THE NEW ERP SYSTEM	12-18-2009	QUALITY SYMBOLS	UNIT mm	SCALE 8 : 1	TOLERANCES DIM. ±0.20 ANGLE: ±3°	APPROVED	CHECKED	MATERIAL			REMARKS		PART REMARKS	
	ECN-0911019 (AK6AA010K1)		CRITICAL				MAJOR	DESIGN	DRAWN	PART NO.	USBS-BT7-3.0-R	SHT	1/1		
REV	DESCRIPTION/ECN NO.	DATE	ZERO DEFECT S.P.C	<b>GTK UK LTD.</b>			袁明洋	袁明洋	DESCRIPTION	MICRO USB 3.0-B F SMT RECEPTACLE (CUSTOMER DRAWING)					
											DRAWING NO.	USBS-BT7-3.0-R	REV	A	

8 7 6 5 4 3 2 1